

PATTERN CHANGER

SPOOL VALVE

INTRODUCTION

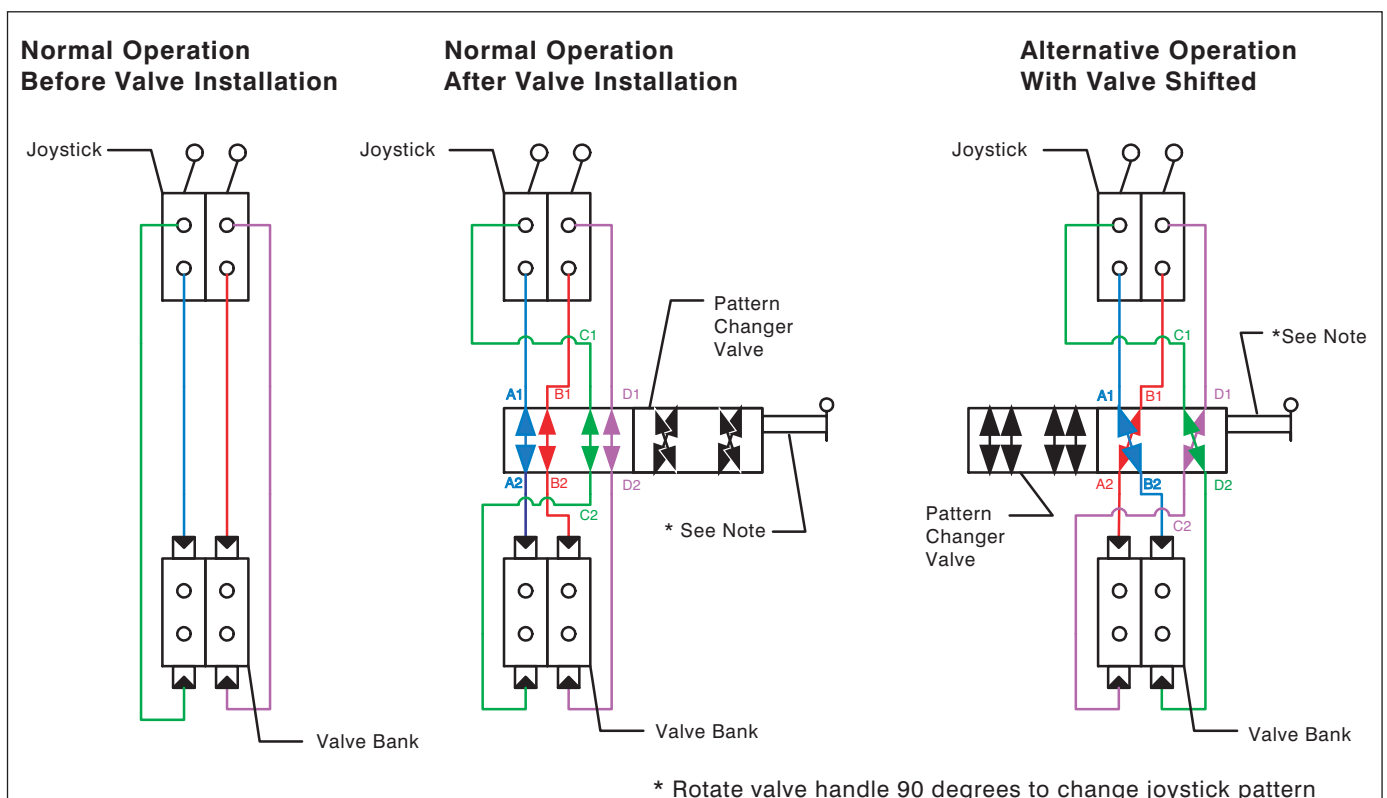
Holmbury's new Pattern Changer Spool Valve is designed to switch joystick functionality on equipment such as excavators. When operators move from one machine to another, they can set-up the joystick controls to function in with which they are familiar. This reduces re-training time, helps avoid accidents due to unfamiliar controls and avoids the need to switch hoses.

The Pattern Changer is hand operated and has 4 inlet ports and 4 outlet ports. It provides 8-way, 2 position control of pilot signals.

FEATURES

- ★ Drastically reduces re-training time when operators switch between machines made by different manufacturers. Simply change to the functionality with which they are familiar.
- ★ Compact
- ★ Simple, reliable design - no electronics
- ★ Quick and easy to install
- ★ Detent retain the selected handle position

SCHEMATIC



OPERATION

Turn the handle 90° to change the joystick pattern. Detents lock the handle in position.

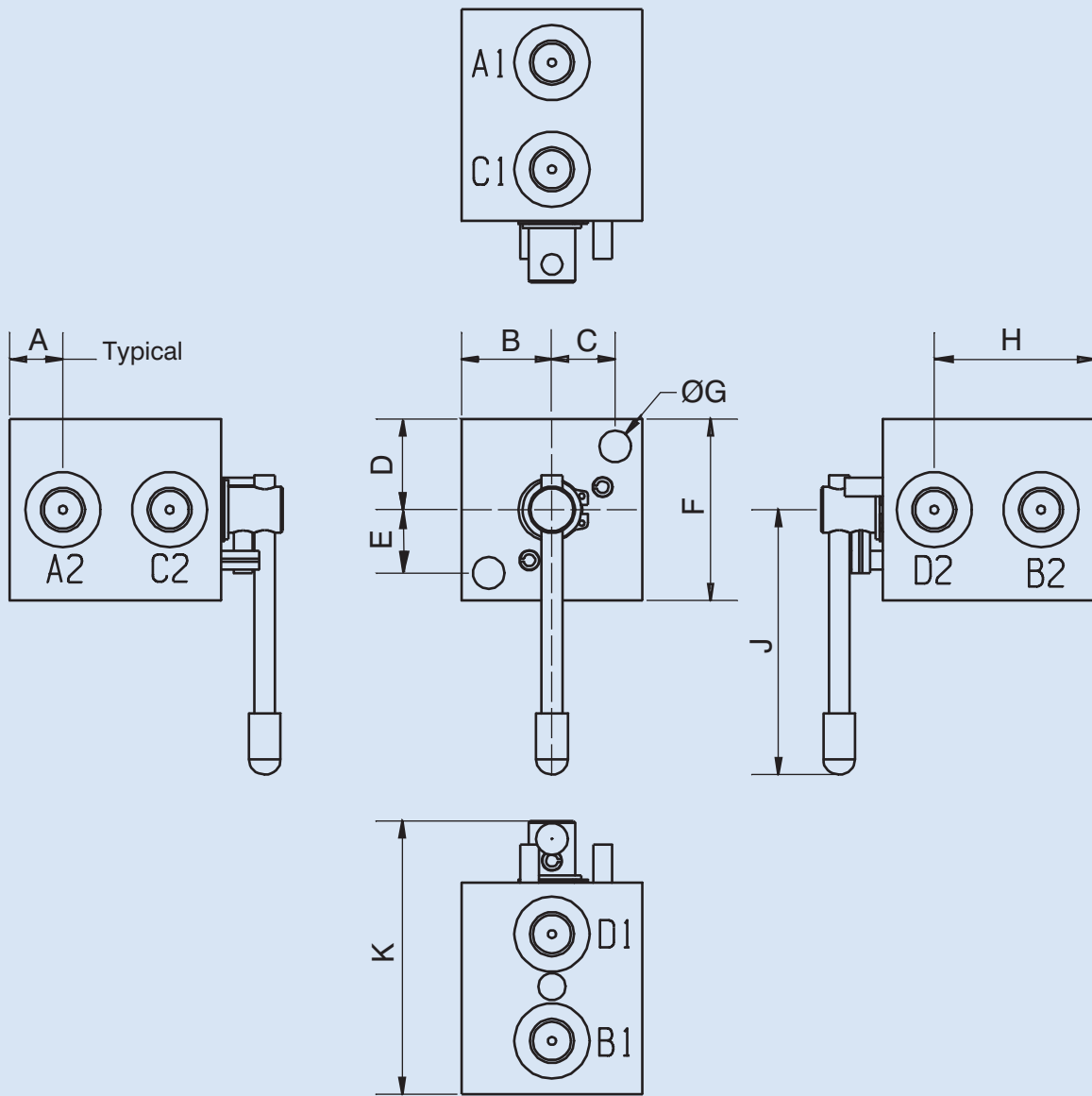
MATERIALS

Zinc plated steel with nitrile seals.

PRESSURE RATING

207 bar

PATTERN CHANGER, SPOOL VALVE



Type and size	PORTS	A	B	C	D	E	F	G	H	J
OCUKAC2318	7/16"-20	14.9	25.4	17.78	25.4	17.78	50.8	8.89	44.96	74.42

ORDER CODE

OCUKAC2318

Pattern changer spool valve