

# PTC SERIES

## HIGH PRESSURE

## SCREW TO CONNECT COUPLINGS

### INTRODUCTION

PTC Series couplings have been designed for heavy duty applications involving very high pressures and severe pressure pulse conditions.

### APPLICATIONS

Holmbury PTC Series couplings are for use with hydraulic mineral oil. They are interchangeable with Faster VVS couplings.

Main uses are with hand held and machine mounted hydraulic hammers, also used on attachments for construction, agricultural and municipal machines.

### ADVANTAGES

- ★ Screw connection mechanism avoids use of locking balls and so eliminates the risk of Brinelling (a potential problem with quick connect couplings in high pressure pulse applications)
- ★ Robust construction for heavy duty applications
- ★ Can be connected with low residual pressure in each hydraulic hose line

### MATERIALS

Carbon steel body, Trivalent plated, nitrile seals.

### STAINLESS STEEL OPTION

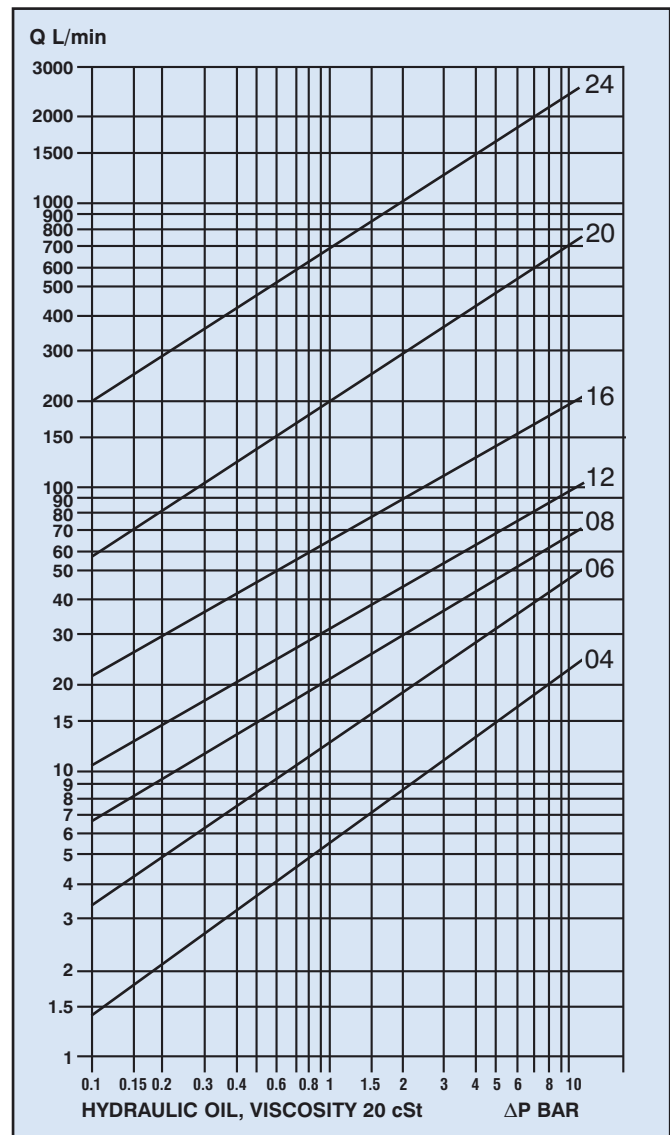
The PTC Series is available in AISI 316 stainless steel and is designated the PTS Series. For further details refer to page 68.

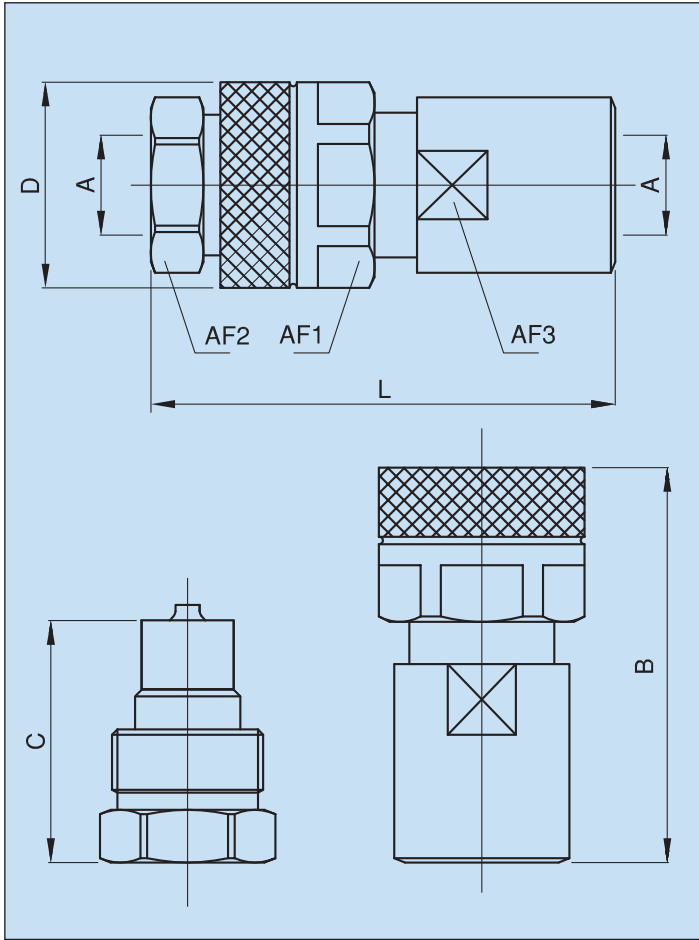
### PRESSURE RATING (bar)

| Thread Size | Body Size | Working pressure | Burst pressure male | Burst pressure female | Burst pressure coupled |
|-------------|-----------|------------------|---------------------|-----------------------|------------------------|
| 1/4"        | 04        | 800              | 2400                | 2400                  | 2500                   |
| 3/8"        | 06        | 750              | 2400                | 2300                  | 2300                   |
| 1/2"        | 08        | 725              | 2250                | 2150                  | 2250                   |
| 3/4"        | 12        | 700              | 2000                | 2000                  | 2000                   |
| 1"          | 16        | 525              | 1500                | 1900                  | 1900                   |
| 1 1/4"      | 20        | 450              | 1450                | 1750                  | 1750                   |
| 1 1/2"      | 24        | 400              | 1200                | 1500                  | 1500                   |



### PRESSURE DROP CHARACTERISTICS





## DIMENSIONS (mm except where stated)

| Coupling Size | Nominal Diameter | A*     | B    | C  | D  | L    | AF1 | AF2 | AF3 |
|---------------|------------------|--------|------|----|----|------|-----|-----|-----|
| 04            | 4                | 1/4"   | 66   | 45 | 30 | 84   | 27  | 25  | 22  |
| 06            | 6                | 3/8"   | 75   | 51 | 40 | 89.5 | 36  | 30  | 32  |
| 08            | 8                | 1/2"   | 86.5 | 57 | 45 | 102  | 41  | 34  | 34  |
| 12            | 12               | 3/4"   | 105  | 68 | 55 | 121  | 50  | 36  | 46  |
| 16            | 16               | 1"     | 120  | 73 | 60 | 136  | 50  | 45  | 45  |
| 20            | 20               | 1 1/4" | 153  | 86 | 80 | 167  | 75  | 65  | 65  |
| 24            | 24               | 1 1/2" | 170  | 95 | 98 | 188  | 90  | 80  | 75  |

\* Dimensions for BSP and NPT threads.

## ORDER CODES

**PTC 16 - F - 16 G**

**PTC** = Series

### Coupling Size

04, 06, 08, 12, 16, 20, 24

**M** = Male coupling

**F** = Female coupling

### Thread size based on dash system

(Coupling body size shown in red for information only and should not be included in this section of the code)

#### Thread size

#### Body size

04 = 1/4"

(04)

06 = 3/8"

(06)

08 = 1/2"

(08)

12 = 3/4"

(12)

16 = 1"

(16)

20 = 1 1/4"

(20)

24 = 1 1/2"

(24)

### Thread form

**G** = BSP P (standard)

**N** = NPT (available on request)

**S** = SAE (available on request)

**Blank** = Female thread (no code required)

**M** = Male thread

**Blank** = Nitrile seals (no code required)

Other seal materials available on request.

### Any other necessary information

### Example: PTC16-F-16G

PTC size 16 female coupling, 1" BSP P female thread, nitrile seals, no special requirements.

## SEAL OPERATING TEMPERATURES

| Seal material code | Seal material  | Maximum temperature | Minimum Temperature |
|--------------------|----------------|---------------------|---------------------|
| V                  | Viton          | 180°C               | -15°C               |
| NE                 | Neoprene       | 90°C                | -40°C               |
|                    | Nitrile*       | 100°C               | -20°C               |
| S                  | Fluorosilicone | 150°C               | -50°C               |
| K                  | Kalrez         | 300°C               | -25°C               |

\* Nitrile is standard. Other seal materials available on request.