

# PS SERIES

## EXTRA HEAVY DUTY

### SCREW COUPLINGS FOR LARGE EXCAVATORS OVER 20 TONNES

#### INTRODUCTION

Holmbury PS Series extra heavy duty screw couplings have been developed to withstand extreme conditions of vibration and high pressure pulses. At an independent test laboratory they have exceeded 3,000,000 impulse cycles whilst being subjected to heavy vibration in the horizontal and vertical planes.

#### APPLICATIONS

Demolition excavators and large excavators over 20 tonnes, where they can be used as replacements for valves when changing attachments or arm extenders.

#### ADVANTAGES

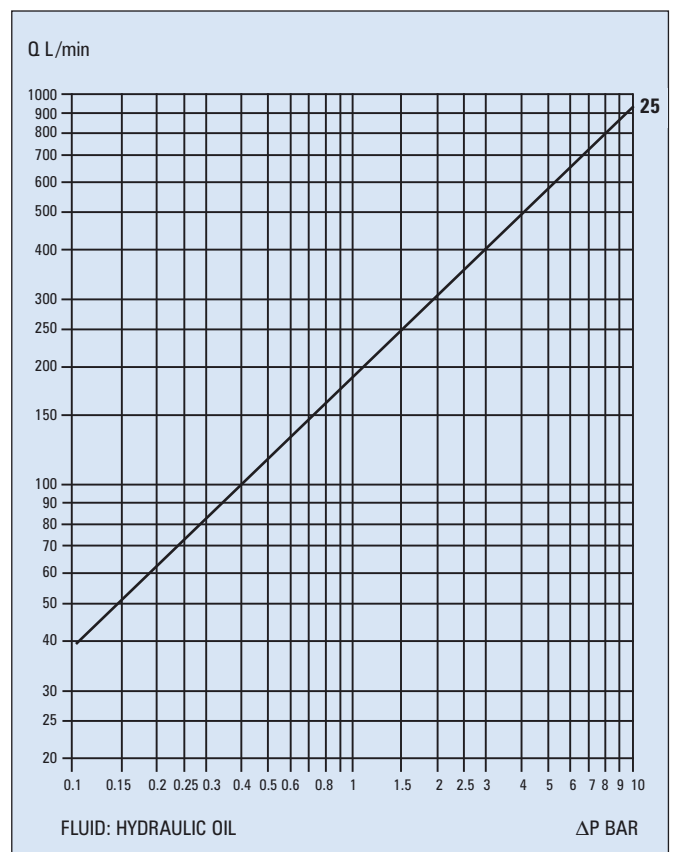
- ★ Excavator attachment changeover time for the hydraulic lines is just a few minutes, which is much faster than changing over a valved or solid piped system
- ★ When a PS25 coupling is disconnected, the oil loss is just 27 ml, this is a small fraction of the loss when compared with valved or solid piped systems
- ★ Can be used on 'physically demanding' applications that had previously ruled out the use of couplings
- ★ Very high flow rating, e.g. 576 L/min at 5 bar pressure drop, without damaging the seals
- ★ The internal seals are shielded to minimise wear. Design of the shielded seal arrangement is patented
- ★ Can be connected and disconnected with up to 50 bar residual pressure in either one or both of the hydraulic lines

#### ORDER CODES

|  |  |
|--|--|
| <b>PS - 25 - M - 20 S</b>                              |  |
| <b>Type</b><br>PS Series                               | <b>Blank = Viton &amp; HNBR seals</b>                            |
| <b>Body Code</b><br>25 = 1 1/4"                        | <b>Blank = Female thread</b><br><b>M = Male thread</b>           |
| <b>M = Male Coupling</b><br><b>F = Female Coupling</b> | <b>Thread form</b><br>S = SAE                                    |
|  | <b>Male coupling thread size</b><br>20 = 1 1/4" SAE (1 5/8" UNF) |
|  | <b>Female coupling</b><br>3K = SAE 3000 flange                   |



#### PRESSURE DROP CHARACTERISTICS



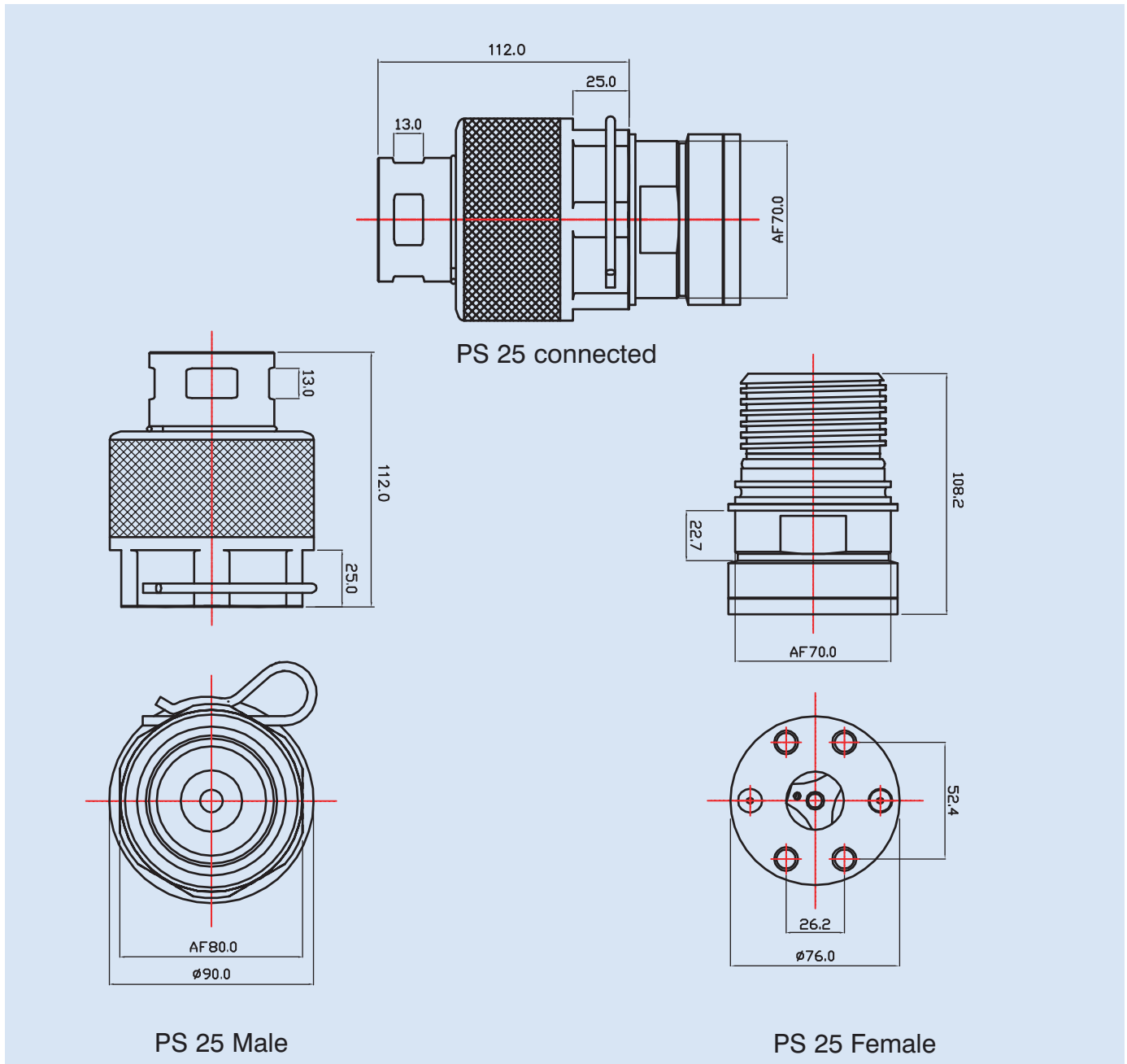
#### MATERIALS

Zinc nickel plated carbon steel body with Viton and HNBR seals.

#### Example: PS-25-M-3KS

PS Series, 1 1/4" body, male coupling with SAE 3000 flange connector, SAE thread form, female thread, Viton & HNBRseals.

# PS SERIES, EXTRA HEAVY DUTY SCREW COUPLINGS



## PRESSURE RATING (bar)



| Pressure                         | Size | PS 25 |
|----------------------------------|------|-------|
| Maximum working pressure coupled |      | 380   |
| Burst pressure coupled           |      | 1520  |
|                                  |      | 50    |