

IBS SERIES

STAINLESS STEEL ISO.B PULL BREAK COUPLINGS

1/4" - 2" Poppet Valve Types to ISO 7241 Series B

INTRODUCTION

Holmbury IBS Series couplings are made in AISI 316, stainless steel. They are designed to be tough, durable and of superior quality to competing ISO 7241 products.

APPLICATIONS

IBS Series couplings are ideally suited for use in corrosive environments and/or operation on corrosive fluids. Typical applications include:

- Offshore
- Marine
- Food processing and manufacture
- Machine tool/automation
- Oil refineries
- Chemicals and pharmaceuticals
- Steel mills

FEATURES

- ★ AISI 316 stainless steel construction, viton seals.
- ★ Positive, quick connection ensured by the snap together locking ball system.
- ★ When connected the male and female halves can rotate, even under pressure, thus avoiding any torsional stress in the flexible hoses.
- ★ Poppet valves have balanced springs and calibrated oil flow passages to minimise the pressure drop.
- ★ Poppet valve seals have shockproof protective edges.

CONSTRUCTION

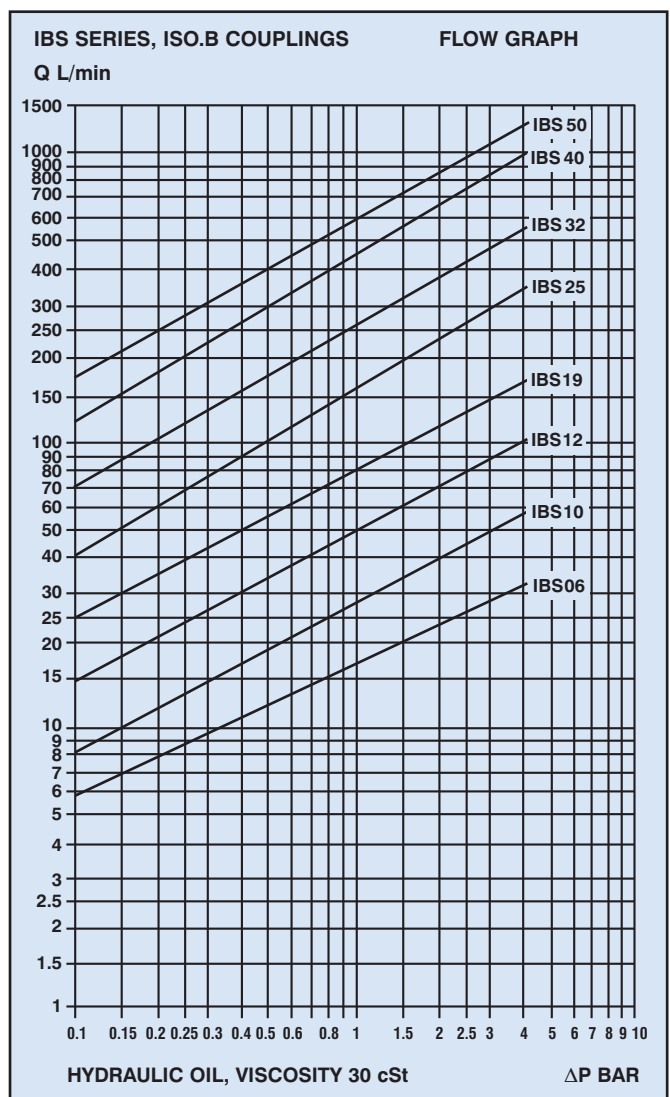
AISI 316 stainless steel, viton seals with Teflon backing rings.

IBS TESTS

Life - 1,000,000 cycles from 0 - 250 bar at a frequency of 1Hz.



PRESSURE DROP CHARACTERISTICS

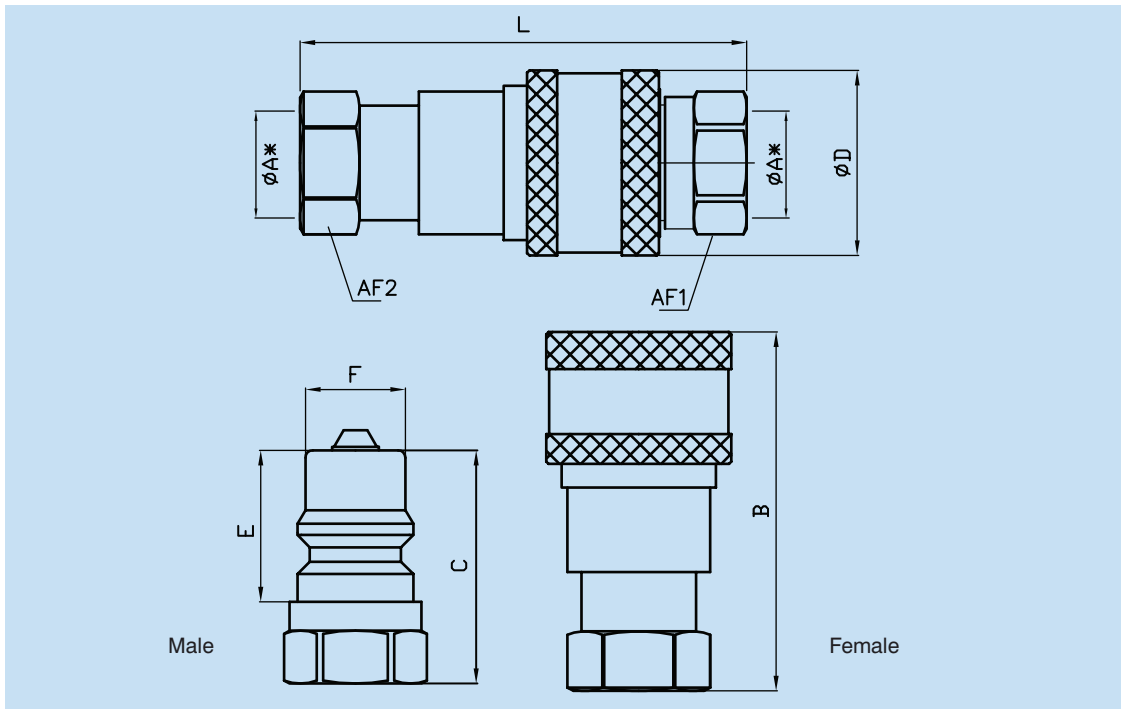


DUST CAPS



Available on request,
call for details

IBS SERIES STAINLESS STEEL COUPLINGS TO ISO.B SPECIFICATION



TECHNICAL DATA

Type and body size	ND	Maximum operating pressure (bar)	ØA*	AF1	AF2	B	C	ØD	L	Weight (kg)
IBS06	6.3	300	1/4"	19	19	58	22.8	28.5	72	0.17
IBS10	10	250	3/8"	24	24	65	25	35	81	0.29
IBS12	12.5	250	1/2"	28.5	28.5	74	28	44.5	93.5	0.50
IBS19	20	250	3/4"	36	36	92	36	54	113	0.85
IBS25	25	200	1"	41	41	103	45	63.5	127	1.25
IBS32	32	140	1 1/4"	65	65	126	126	75	198	3.7
IBS40	40	140	1 1/2"	65	65	126	126	75	198	3.7
IBS50	50	90	2"	90	90	124	124	105	222	8.0

A* = inch size BSP or NPT.

Dimensions in mm

ORDER CODES

IBS 19 - F - 12 G	V	Any other necessary information
IBS = IBS Series	V = Viton seals	Blank = Female thread
Body size: 06 = 1/4" 19 = 3/4" 10 = 3/8" 25 = 1" 12 = 1/2"	Thread form G = BSP P N = NPT F	Thread size based on dash system 04 = 1/4" 12 = 3/4" 06 = 3/8" 16 = 1" 08 = 1/2"
M = Male coupling F = Female coupling		

Example: IBS19-F-16GV

IBs Series, ISO B coupling in stainless steel, body size 19 with 3/4" BSP P female thread, viton seals, no special requirements.