

# BVS-2 SERIES

## 2 WAY, HIGH PRESSURE, STAINLESS STEEL, BALL VALVES

### INTRODUCTION

Holmbury BVS-2 Series, 2 way, stainless steel ball valves are designed for use in corrosive environments and/or operation with corrosive fluids.

These valves should not be used as flow control valves and should therefore always be fully open or fully closed.

### APPLICATIONS

Ideal for use in the chemical, pharmaceutical, off-shore, food, petrochemical and process industries.

A variety of special seals can be provided to comply with the stringent specifications required by these applications.

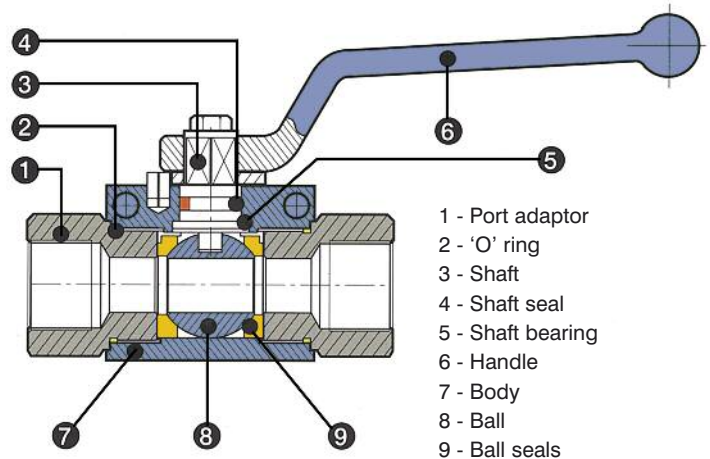
For further details contact Holmbury Sales Dept.

### FEATURES

- ★ AISI 316 stainless steel construction, viton seals.
- ★ Full bore valves provide an unrestricted flow path for negligible pressure drop.
- ★ Floating ball on pre-compressed seals minimises wear and provides an excellent seal at positive and negative pressures.
- ★ Open to close in 1/4 turn (90°).
- ★ Cranked handles provide good clearance for the operators hands.

### ORDER CODES

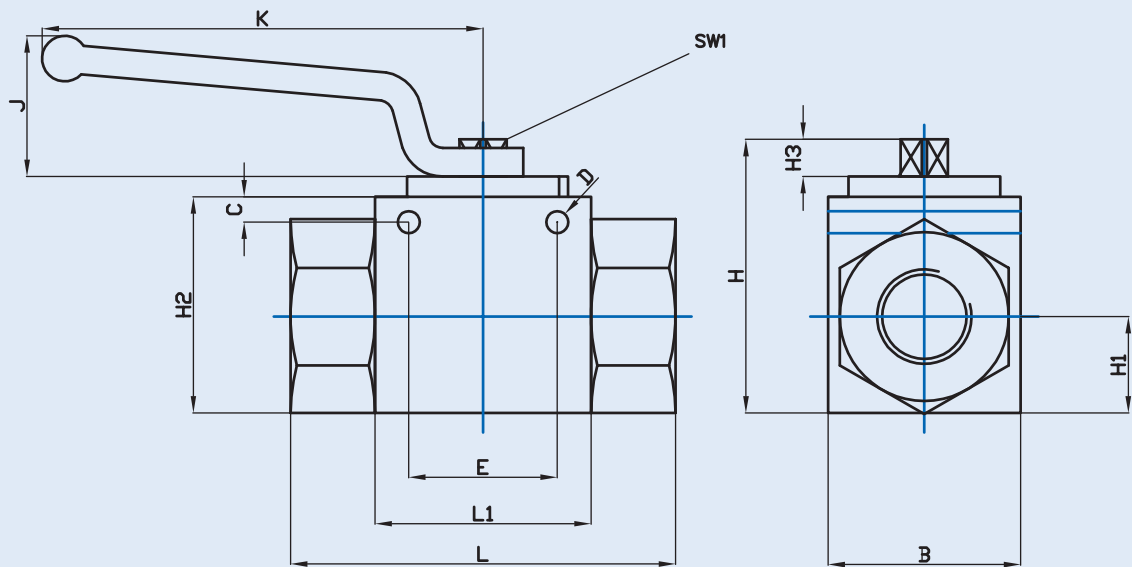
	<b>BVS-2</b>	<b>- 06</b>	<b>- 04</b>	<b>G</b>
<b>Ball valve</b>				
<b>2 way</b>				
<b>Body Size:</b>				
06	25			
10	32			
12	40			
19	50			
<b>Thread Size (dash system)</b>				
04 = 1/4"	16 = 1"			
06 = 3/8"	20 = 1 1/4"			
08 = 1/2"	24 = 1 1/2"			
12 = 3/4"	32 = 2"			
<b>Thread Form:</b>				
G = BSP P				
N = NPT				
Any other necessary information				



#### Example: BVS-2-06-04G

Stainless steel ball valve, 2 way, body size 06, 1/4" BSP port thread and Viton shaft seals.

## BVS-2 SERIES, 2 WAY BALL VALVES



Code	ND	Max W.P Bar	L	L1	B	H	H1	H2	H3	E	D	C	SW1	K	J
BVS-2-06-04G-1-1	6	500	69	37	28	44.5	13	32	8	26	5	4.5	9	107	40
BVS-2-10-06G-1-1	10	500	72	42	35	52.5	17	40	8	32	5	4.5	9	107	40
BVS-2-12-08G-1-1	12	500	83	48	35	52.5	17	40	8	37.5	4.8	4.5	9	107	40
BVS-2-19-12G-1-1	20	315	95	60	48	75	24	57	12	45	6.5	4.5	14	168	61
BVS-2-25-16G-1-1	25	315	113	65	57	82	28.5	64	12	55	6	4.5	14	168	61
BVS-2-32-20G-1-1	32	315	110	84	75	104.5	37.5	84	14	55	6	4.5	17	221	75
BVS-2-40-24G-1-1	40	315	130	91	85	115.5	42.5	95	14	Not applicable*			17	221	75
BVS-2-50-32G-1-1	50	315	140	100	105	133	52.5	112.5	14	Not applicable*			17	221	75

Dimensions in mm

\*Mounting holes not provided

**All dimensions shown are for guidance only, if critical contact Bosch Hydraulic Connections Ltd.**

### LARGER VALVES

Valve sizes 40 and 50 with 1½" and 2" threads respectively are available by special request.