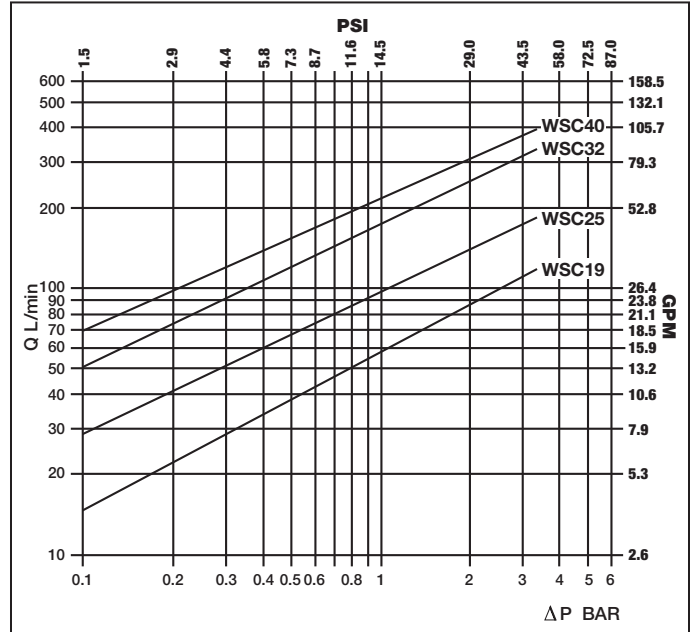


WING-STYLE SCREW TO CONNECT COUPLINGS



Pressure Drop Characteristics



INTRODUCTION

Holmbury WSC couplings utilize a threaded screw connection that enables the user to connect the couplings even when there is trapped residual pressure in the lines. The ruggedly built steel wing nut has been designed to withstand the hammer blows commonly associated with tightening and loosening this style coupling.

APPLICATIONS

WSC couplings are primarily used on dump trailers to connect the tractor to wet-line kits, as well as connecting hydraulic lines on oil field equipment. These couplings may also be used on any other applications where high flow connect-under-pressure couplings are required.

MATERIALS

Brass body with steel internal components. Zinc-plated steel wing nut. Nitrile seals and PTFE back-up ring standard

SPECIFICATIONS

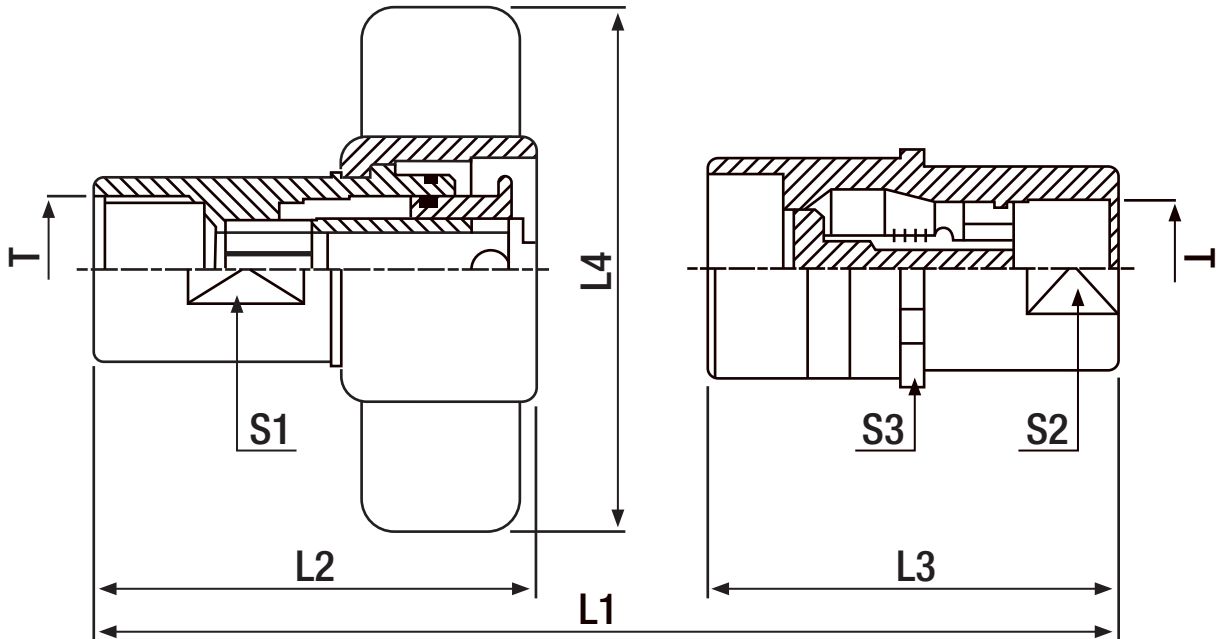
Operating temperature: -20°C (-4°F) to 100°C (212°F)

ACCESSORIES

Protective brass plugs and caps available to help prevent the penetration of dirt and avoid damage to the couplings. Steel flange available for accessible bulk-head mounting.

Order Codes

WSC 19 - M - 08 N	
WSC = WSC Series	Thread Gender Blank = Female
Body Size 19 = 3/4" 25 = 1" 32 = 1-1/4" 40 = 1-1/2"	Thread Form N = NPT
Gender M = Male Half F = Female Half with Wing Nut	Thread size based on dash system 08 = 1/2" 20 = 1-1/4" 12 = 3/4" 24 = 1-1/2" 16 = 1"



Dimensions

Type and Size	Nominal Body Size	T	L1	L2	L3	L4	S1	S2	S3	Weight
	mm	NPT	Dimensions in millimeters							Kgs
	inches	Thread	Dimension in inches							lbs
WSC19	19	1/2"	132.0	78.5	79.0	103.0	29.5	30.0	41.0	1.12
	0.75		5.20	3.09	3.11	4.06	1.16	1.18	1.61	2.45
WSC19	19	3/4"	132.0	78.5	79.0	103.0	29.5	30.0	41.0	1.02
	0.75		5.20	3.09	3.11	4.06	1.16	1.18	1.61	2.25
WSC25	25	1"	152.0	93.0	90.0	111.0	36.5	40.0	47.6	1.66
	1		5.98	3.66	3.54	4.37	1.44	1.57	1.87	3.70
WSC32	32	1-1/4"	160.0	101.0	94.0	131.8	45.2	47.7	54.0	2.02
	1.25		6.30	3.98	3.70	5.19	1.78	1.88	2.13	4.45
WSC40	40	1-1/2"	165.0	102.0	104.6	134.9	50.8	57.2	63.5	2.72
	1.5		6.50	4.02	4.12	5.31	2.00	2.25	2.50	6.00

Inches=mm/25.4
 lbs=kg x 2.204622



WSC Series Dust Cap

Pressure Ratings

	WSC19	WSC25	WSC32	WSC40
	Pressure in BAR			
	Pressure in PSI			
Maximum Working Pressure - Coupled	207	207	190	172
	3000	3000	2750	2500