

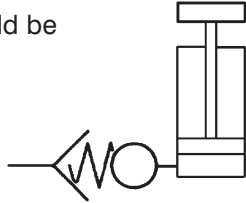
VPC SERIES

HOSE BURST VALVES

INTRODUCTION

Holmbury Hose Burst Valves are used to prevent the uncontrolled descent of a load in the event of a hose failure. They should be screwed directly into the lifting device (normally a cylinder), or into an in-line manifold that should be mounted as close as possible to the lifting device.

A flow regulator valve, set at least 50% higher than the regulated flow, should be fitted downstream from the hose burst valve at the end of the flexible hose.



OPERATION

The valve disk is held apart from the flow block with a spring fitted over the centre stem of the valve. Apart from a small pressure drop, fluid can flow freely in the direction from Z to Z1. When fluid is flowing in the reverse direction, from Z1 to Z, if the flow rate exceeds the valve setting (see dimension T and adjustment graph), the valve disk will snap shut and close the ports of the flow block.

APPLICATIONS

Lifting equipment and machinery where it is necessary to safeguard against excessive flow rates.

MATERIALS

Trivalent plated carbon steel body.

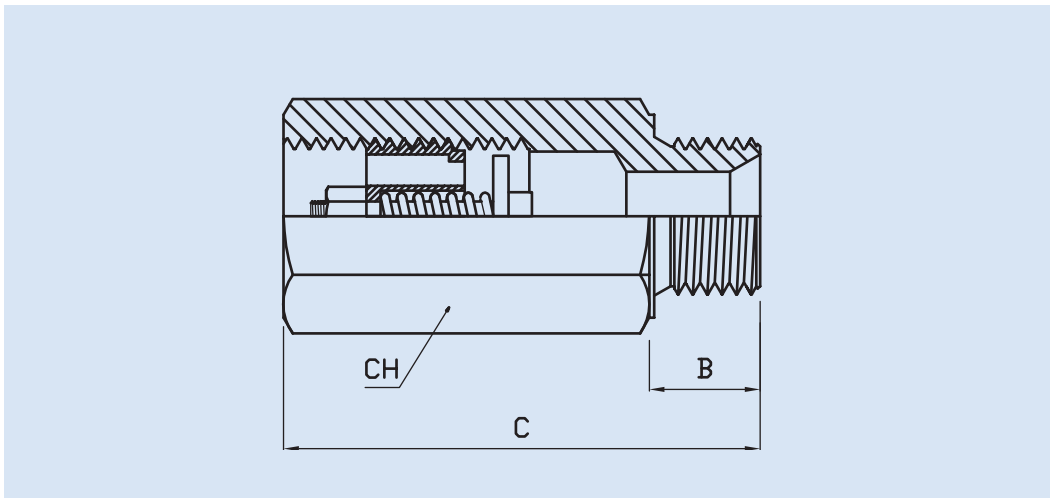
TECHNICAL DETAILS

Maximum working pressure for all sizes is 350 bar.

ORDER CODES

	VPC	19 – 12	G	
Hose burst valve				
Body Size:				
06, 10, 12, 19, 25				
Thread Size (dash system)	Body Size			
04 = 1/4"	06	Body size is shown for information only and should not be included in this section of the order code		
06 = 3/8"	10			
08 = 1/2"	12			
12 = 3/4"	19			
16 = 1"	25			
Thread Form (male & female ends)				
G = BSP P				
Seals				
No symbol = Nitrile				
Any other necessary information				
Example:				
VPC19-12G is a hose burst valve with body size 19 and 3/4" BSP parallel thread on both the male and female threaded ends. Nitrile seals will be fitted.				

VPC SERIES, HOSE BURST VALVES



Part Number	Body Size	Nominal Diameter	ØA	C	CH	B	Maximum working pressure (bar)
VPC06-04G	06	04	1/4"	50	19	12	350
VPC10-06G	10	10	3/8"	58	22	12	350
VPC12-08G	12	12	1/2"	70	27	14	350
VPC19-12G	19	19	3/4"	78	32	16	350
VPC25-16G	25	25	1"	92	46	18	350

Other threads and banjo connections available on request

REVERSE FLOW ADJUSTMENT

