

# TC SERIES

## TIPPER COUPLINGS

### INTRODUCTION

Holmbury Tipper Couplings use a screw thread connection. The female coupling has a wing nut sleeve which enables operators to connect the couplings by hand, even when there is low residual pressure in the line.

### APPLICATIONS

Tipper Couplings are designed for use on mobile plant such as commercial vehicle trailers, agricultural equipment and construction plant.

### MATERIALS

Trivalent plated carbon steel body material with nitrile seals and PTFE backing ring.

### TECHNICAL DETAILS

Maximum working pressure for both sizes is 250 bar. Working temperature range with nitrile seals is -20°C to +100°C

### ACCESSORIES

#### PARKING STATIONS

Parking stations help avoid accidental damage and provide a storage location.

#### PLUGS

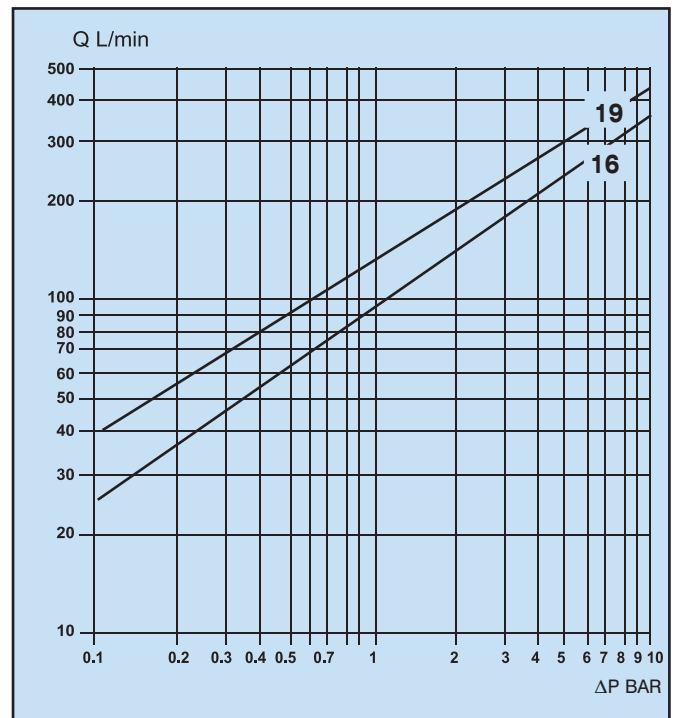
Available for female couplings to prevent the ingress of dirt and avoid damage.

#### CAPS

Available for male couplings to prevent the ingress of dirt and avoid damage.



### PRESSURE DROP CHARACTERISTICS



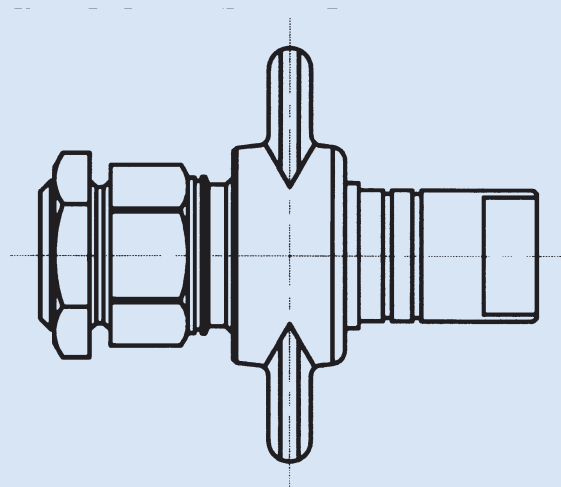
### ORDER CODES

	<b>TC</b>	<b>16</b>	<b>- F</b>	<b>- 12</b>	<b>G</b>			
<b>TC Series</b>								
<b>Coupling Size (16 &amp; 19)</b>								
<b>M</b> = Male coupling								<b>Any other information</b>
<b>F</b> = Female coupling								<b>Blank</b> = Nitrile Seals
<b>Thread size (dash system)</b>								<b>Blank</b> = Female thread (no code required)
12 = 3/4"								<b>M</b> = Male thread
16 = 1"								
<b>Thread Form</b>								
G = BSP P								

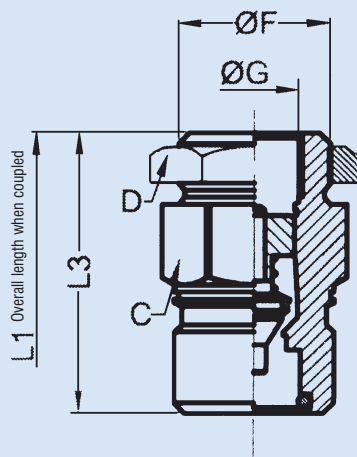
#### Example: TC16-F-12G

TC Series tipper coupling, size 16 female coupling, 3/4" BSP female thread, nitrile seals, no special requirements.

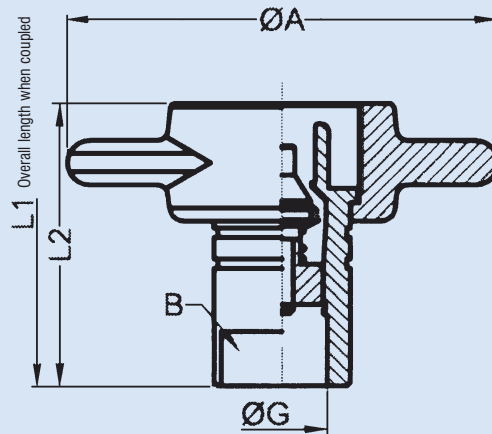
## TC SERIES, TIPPER COUPLINGS



Male and Female Coupled



Male



Female

### Male coupling

Size	ØG	C	D	L1	L3	ØF
TC 16 F 12	3/4" BSP	46	50	128.2	75.7	1 1/4"
TC 19 F 16	1" BSP	55	60	144.6	82.8	1 3/8"

### Female coupling

Size	ØG	B	L1	L2	ØA
TC 16 M 12	3/4" BSP	33	128.2	74.5	115
TC 19 M 16	1" BSP	40	144.6	82.8	115