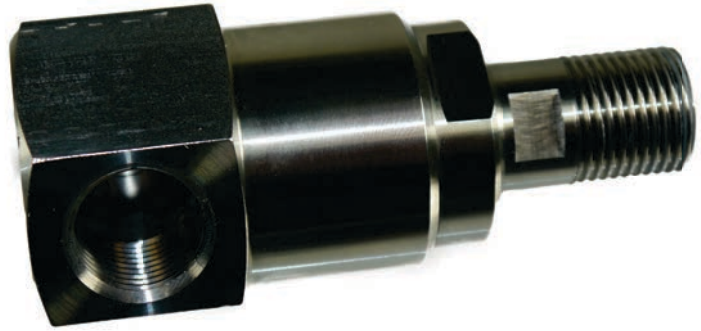


SR90 SERIES

90° STAINLESS STEEL ROTARY COUPLINGS

Holmbury presents a new addition to its range, stainless steel rotary couplings. Produced in both in-line and 90° configurations, these couplings are used for applications that a standard carbon steel rotary coupling would not.

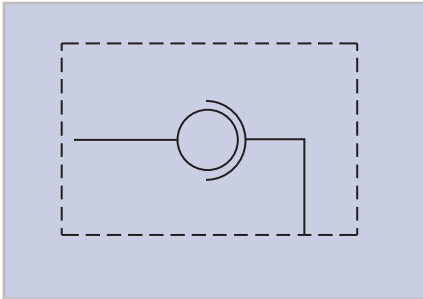


CONSTRUCTION

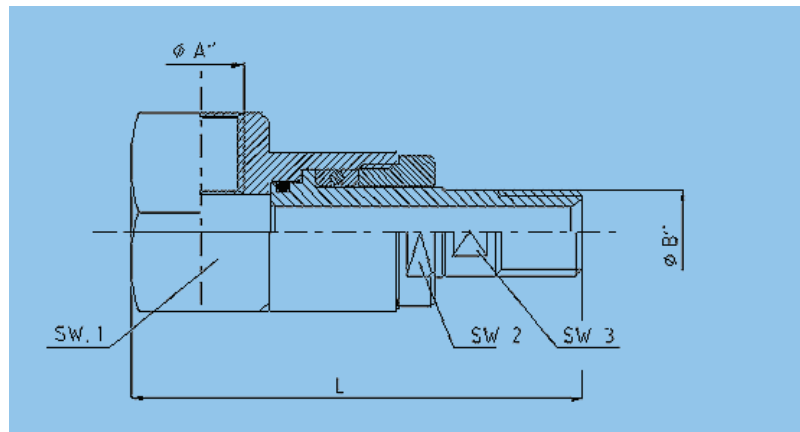
The spindle is carried on a roller bearing and has a low friction shaft seal that can rotate at maximum pressure with low torque.

MATERIALS

AISI 316 stainless steel body with viton seals fitted as standard. Choice of BSP or NPT port threads.



DRAWINGS



DIMENSIONS

Size	A	B	D	E BSP	E NPT	F	CH	W Weight kg
01	62	42	33	1/4"	1/4"	CH 30	19	0.21
02	65	44	37	3/8"	3/8"	CH 34	24	0.27
03	74	50	40	1/2"	1/2"	CH 36	27	0.33
04	80	50	49	3/4"	3/4"	CH 45	34	0.54
05	90	57	60	1"	1"	Ø 60	41	1.03
06	98	63	60	1 1/4"	1 1/4"	Ø 60	50	1.14
07	108	70	70	1 1/2"	1 1/2"	Ø 70	55	1.68
09	115	76	85	2"	2"	Ø 85	65	2.52

ORDER CODES

SR90	06	B
90° rotary coupling		
Size - from 01 to 09 see table opposite		
Thread form B = BSP N = NPT		

Example: SR90 06 B
90° Rotary Coupling, 1 1/4" BSP ports.

PRESSURE RATINGS

Size	01	02	03	04	05	06	07	09
Max Flow	l/min	25	45	80	120	150	200	300
Max Pressure	bar	400	400	360	310	280	250	180
Max Rotary Speed	rev/min	500	400	370	280	230	200	140