

RS SERIES

SCREW TO CONNECT ZERO LEAKAGE COUPLINGS

INTRODUCTION

Voswinkel RS Series couplings are designed for use in high pressure pulse applications. This typically includes construction plant, demolition equipment and agricultural machinery.

ADVANTAGES

- ★ Connect without ingress of air and disconnection without loss of fluid.
- ★ Screw connection mechanism avoids use of locking balls and so eliminates the risk of Brinelling (the problem of locking ball indentation in the nose of the probe).
- ★ Can be connected by hand with up to 20 bar pressure in each hydraulic hose line and up to 50 bar with hand tools.

MATERIALS

Hardened carbon steel body, zinc nickel plated, nitrile seals.

CONNECTION

The couplings are connected by screwing the Female (fixed half) and Male (swivel half) couplings together until the limit stop is reached.

CONNECTION / DISCONNECTION UNDER PRESSURE

Connection and disconnection by hand, with up to 20 bar residual pressure in the line is possible. Disconnection of any hydraulic coupling whilst under full system pressure can be very dangerous and should not be attempted.

SEAL OPERATING TEMPERATURES

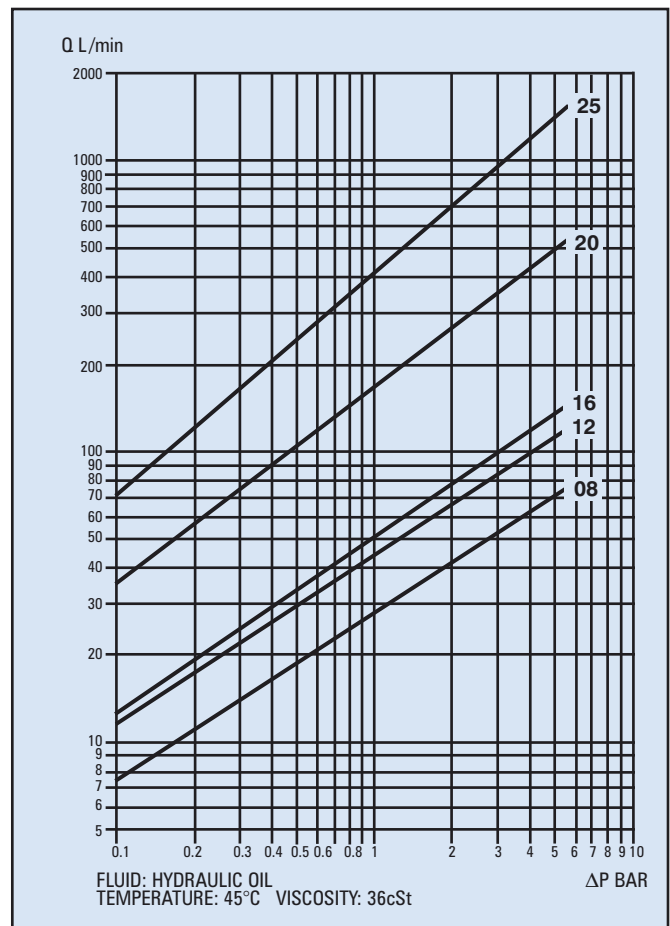
Nitrile seals maximum working temperature 100°C, minimum working temperature -20°C

PRESSURE RATINGS (bar)

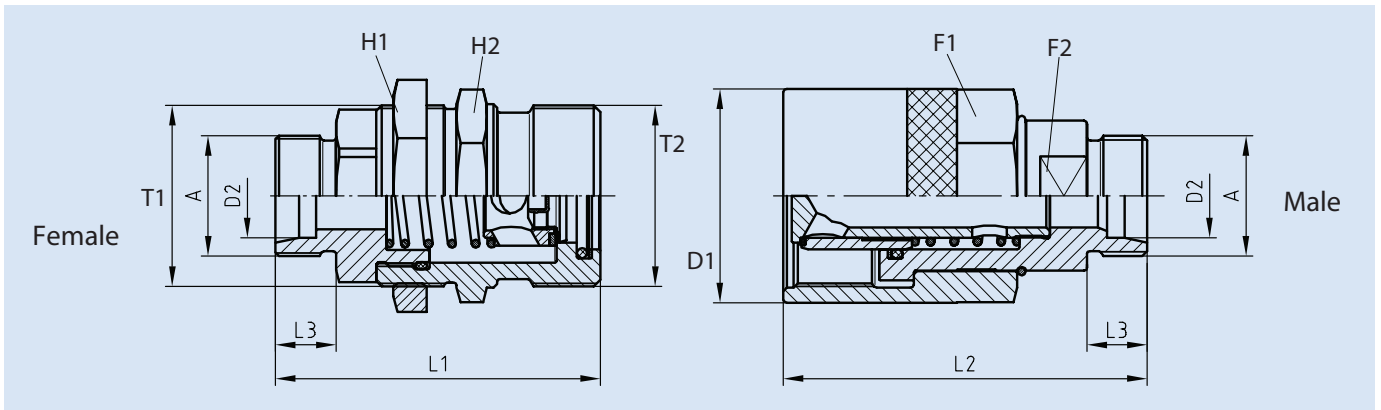
	RS08	RS12	RS16	RS20	RS25
Max working pressure	420	300	320	300	420
Burst pressure coupled	2250	2150	1150	1200	1150
Burst pressure female	500	700	1280	700	900
Burst pressure male	1150	1000	1280	1250	1100



PRESSURE DROP CHARACTERISTICS



RS SERIES SCREW TO CONNECT COUPLINGS



FEMALE DIMENSIONS

Type	T1	T2	H1	H2	Port A	D2	L1	L3	Part No.	Weight (kg)
RS08	M30X1	M32X3	36	36	M14X1.5	8L	54	10	RK08-1-L0814	0.210
					M16X1.5	10L	54	11	RK08-1-L1016	0.210
					M18X1.5	12L	54	11	RK08-1-L1218	0.210
					M22X1.5	15L	54	12	RK08-1-L1522	0.210
					M18X1.5	10S	54	12	RK08-1-S1018	0.215
					M20X1.5	12S	54	12	RK08-1-S1220	0.221
M22X1.5	14S	54	14	RK08-1-S1422	0.215					
RS12	M36X1	M36X3	41	41	M22X1.5	15L	61	12	RK12-1-L1522	0.300
					M24X1.5	16S	63	14	RK12-1-S1624	0.312
RS16	M45X1.5	M48X3	50	55	M22X1.5	15L	75	12	RK16-1-L1522	0.640
					M26X1.5	18L	75	12	RK16-1-L1826	0.642
					M24X1.5	16S	77	14	RK16-1-S1624	0.643
					M30X2	20S	79	16	RK16-1-S2030	0.646
RS20	M45X1.5	M54X4	60	55	M26X1.5	18L	90	12	RK20-1-L1826	0.915
					M30X2	22L	95	14	RK20-1-L2230	0.923
					M36X2	28L	95	14	RK20-1-L2836	0.933
					M30X2	20S	94	16	RK20-1-S2030	0.953
					M36X2	25S	96	18	RK20-1-S2536	0.968
					M42X2	30S	98	20	RK20-1-S3042	0.988
RS25	N/A	M79X4	55	85	M45X2	35L	116	16	RK25-1-L3545	2.795
					M52X2	38S	123	22	RK25-1-S3852	2.830

MALE DIMENSIONS

Type	D1	F1	F2	Port A	D2	L2	L3	Part No.	Weight (kg)
RS08	39	32	22	M14X1.5	8L	62	10	RK08-2-L0814	0.305
				M16X1.5	10L	63	11	RK08-2-L1016	0.305
				M18X1.5	12L	63	11	RK08-2-L1218	0.305
				M22X1.5	15L	63	12	RK08-2-L1522	0.305
				M18X1.5	10S	64	12	RK08-2-S1018	0.315
				M20X1.5	12S	64	12	RK08-2-S1220	0.315
M22X1.5	14S	66	14	RK08-2-S1422	0.315				
RS12	54	46	24	M22X1.5	15L	70	12	RK12-2-L1522	0.535
				M24X1.5	16S	72	14	RK12-2-S1624	0.537
RS16	59	60	N/A	M22X1.5	15L	75	12	RK16-2-L1522	0.940
				M26X1.5	18L	75	12	RK16-2-L1826	0.943
				M24X1.5	16S	77	14	RK16-2-S1624	0.945
				M30X2	20S	79	16	RK16-2-S2030	0.949
RS20	64	55	41	M26X1.5	18L	103	12	RK20-2-L1826	1.343
				M30X2	22L	105	14	RK20-2-L2230	1.351
				M36X2	28L	105	14	RK20-2-L2836	1.361
				M30X2	20S	107	16	RK20-2-S2030	1.381
				M36X2	25S	109	18	RK20-2-S2536	1.396
				M42X2	30S	111	20	RK20-2-S3042	1.416
RS25	90	N/A	55	M45X2	35L	129	16	RK25-2-L3545	3.350
				M52X2	38S	136	22	RK25-2-S3852	3.385

Note: RS available in metric tube connection. Nut and Ferrule not included. Sizes listed are for reference only and are subject to change.