

PTS SERIES HIGH PRESSURE STAINLESS STEEL SCREW TO CONNECT COUPLINGS

INTRODUCTION

PTS Series couplings have been designed for applications involving the transmission of corrosive fluids and/or operation in corrosive environments. They can operate at very high pressures and cope with severe pressure pulse conditions.

APPLICATIONS

Holmbury PTS Series Stainless Steel Couplings have a high resistance to corrosion and are suitable for use with many fluids which include: acids, gas, and demineralized water. They are the ideal choice for many industries such as marine, food, gas, chemical and pharmaceutical.

ADVANTAGES

- ★ AISI 316 stainless steel construction, viton seals
- ★ Screw connection mechanism avoids use of locking balls and so eliminates the risk of Brinelling (a potential problem with quick connect couplings in high pressure pulse applications)
- ★ Robust construction
- ★ Can be connected with low residual pressure in each hydraulic hose line

MATERIALS

Body and structural components - AISI 316
Spring guide in male coupling - AISI 316
Springs - AISI 316
Locking balls - AISI 316
Seals - Viton

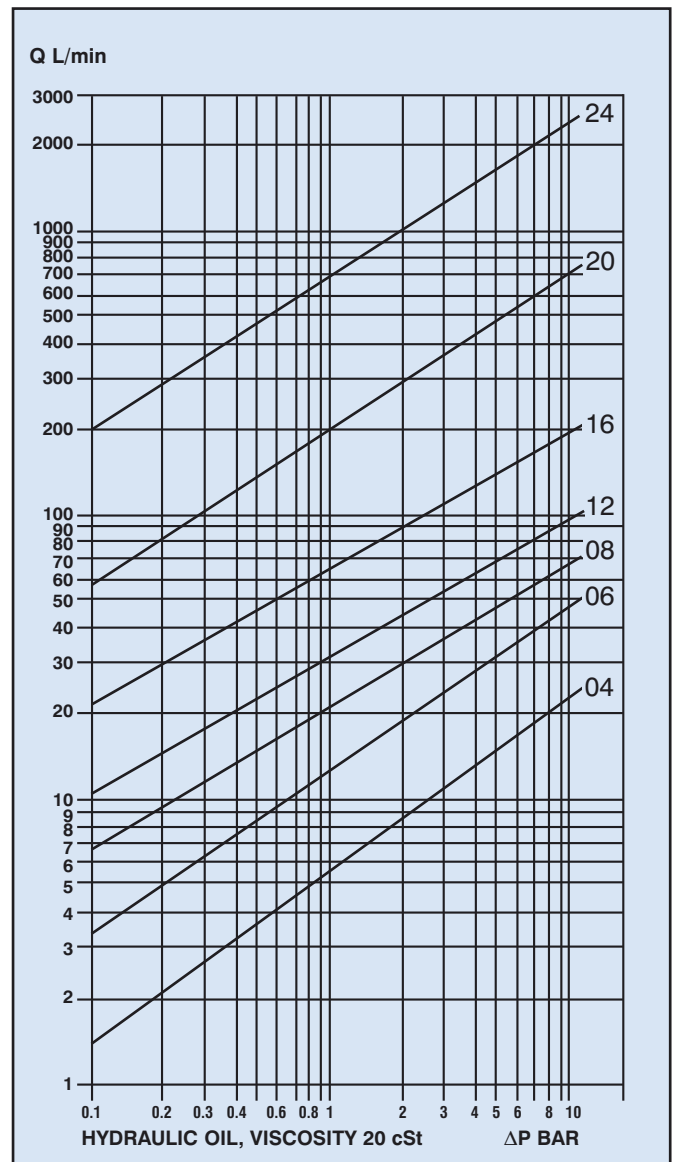
For operation on fluids other than water or standard mineral oil please contact the Holmbury Technical Office.

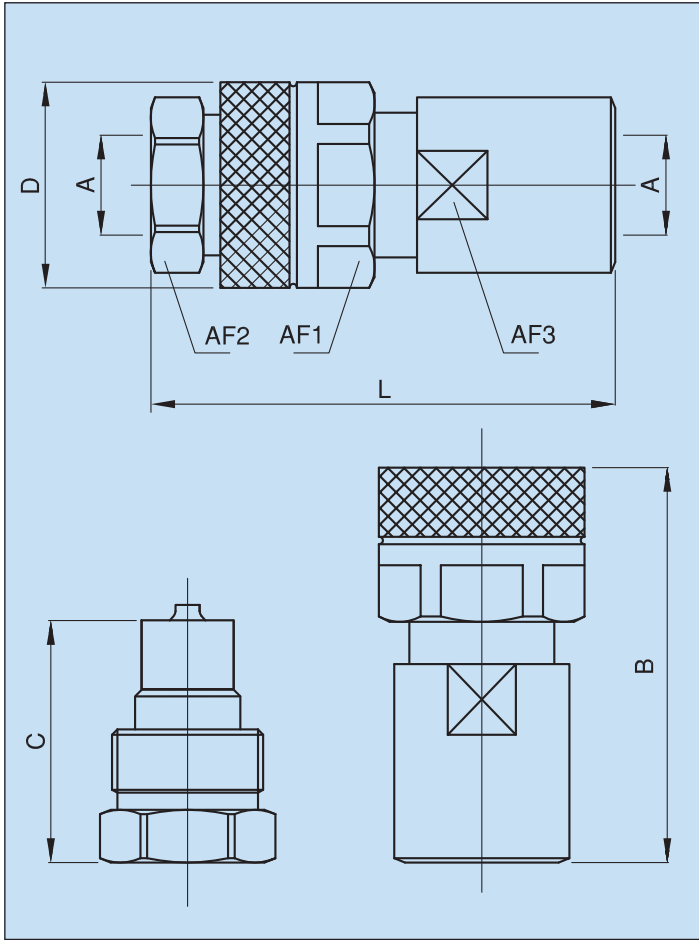
CARBON STEEL OPTION

The PTS Series is available in carbon steel, Trivalent plated and with nitrile seals. In this configuration it is designated the PTC Series. For further details refer to page 14.



PRESSURE DROP CHARACTERISTICS





DIMENSIONS (mm except where stated)

Coupling Size	Nominal Diameter	A*	B	C	D	L	AF1	AF2	AF3
04	4	1/4"	66	45	30	84	27	25	22
06	6	3/8"	75	51	40	89.5	36	30	32
08	8	1/2"	86.5	57	45	102	41	34	34
12	12	3/4"	105	68	55	121	50	36	46
16	16	1"	120	73	60	136	50	45	45
20	20	1 1/4"	153	86	80	167	75	65	65
24	24	1 1/2"	170	95	98	188	90	80	75

* Dimensions for BSP and NPT threads.

PRESSURE RATING (bar)

Coupling Size	04	06	08	12	16	20	24
Maximum Working Pressure Coupled	700	650	600	500	460	380	365
Burst Pressure Coupled	2500	2000	1850	1750	1500	1150	1100

ORDER CODES

PTS 08 - M - 08 G V

PTS = Series

Coupling Size
04, 06, 08, 12, 16, 20, 24

M = Male coupling
F = Female coupling

Thread size based on dash system
(Coupling body size shown in red for information only and should not be included in this section of the code)

Thread size	Body size
04 = 1/4"	(04)
06 = 3/8"	(06)
08 = 1/2"	(08)
12 = 3/4"	(12)
16 = 1"	(16)
20 = 1 1/4"	(20)
24 = 1 1/2"	(24)

Thread form
G = BSP P (standard)
N = NPT (available on request)
S = SAE (available on request)

Blank = Female thread (no code required)
M = Male thread

V = Viton Seals (standard supply)
Other seal materials available on request.

Any other necessary information

Example: PTS08-M-08G V
PTS size 08 male coupling, 1/2" BSP P female thread, viton seals, no special requirements.

SEAL OPERATING TEMPERATURES

Seal material code	Seal material	Maximum temperature	Minimum Temperature
V	Viton *	180°C	-15°C
NE	Neoprene	90°C	-40°C
	Nitrile	100°C	-20°C
S	Fluorosilicone	150°C	-50°C
K	Kalrez	300°C	-25°C

* Viton is standard. Other seal materials available on request.