

PSB & PSP SERIES

HIGH PRESSURE SCREWED COUPLINGS

INTRODUCTION

Holmbury High Pressure Screwed Couplings can be connected and disconnected even with a low residual hydraulic pressure in the line. The screw connection mechanism eliminates Brinelling (indentation of the locking balls into the retaining groove) and thus makes the couplings suitable for high pressures and pressure pulse applications. Two sizes are offered, 1/4" and 3/8" NPT, with either ball or poppet valve seals.

FEATURES

- ★ Compatible with all high pressure pump and cylinder manufacturers (Enerpac, SPX, Larzep and Hi-force)
- ★ Connection and disconnection can be performed even with low residual hydraulic pressure in the line.
- ★ Screw thread retaining mechanism eliminates Brinelling.
- ★ Size 10 (3/8") couplings also available with poppet valve seals for lower pressure applications.

APPLICATIONS

General industrial equipment

MATERIALS

Zinc plated carbon steel body material with nitrile seals and PTFE backing ring.

TECHNICAL DETAILS

Maximum working pressure for both sizes of couplings: PSB = 700 bar. PSP = 1000 bar. Working temperature range with nitrile seals is -20°C to +100°C

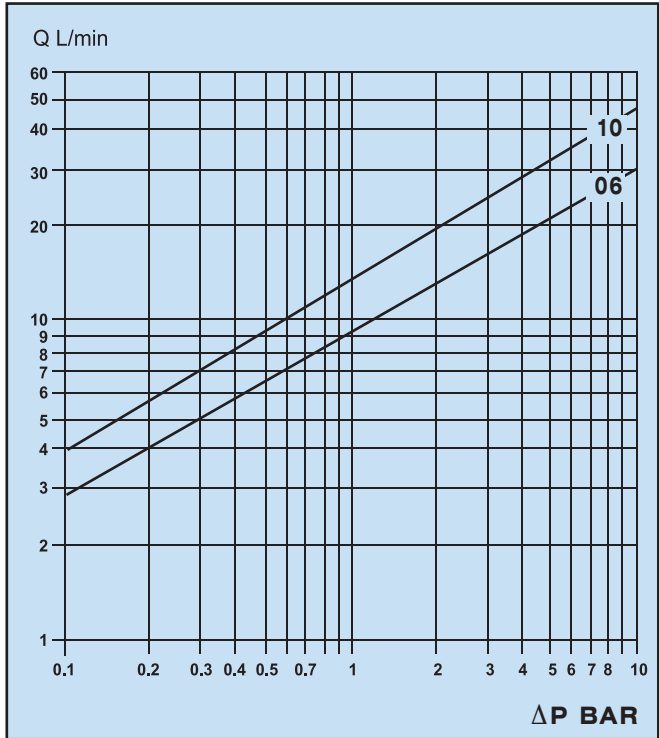
ORDER CODES

	PSB	06 - F - 04	N	M	
PSB = ball seal PSP = poppet seal					
Coupling Size (06 & 10)					Any other information
M = Male coupling F = Female coupling					Blank = Nitrile Seals
Thread size (dash system) 04 = 1/4" 06 = 3/8"					Blank = Female thread (no code required) M = Male thread
Thread Form N = NPT F					

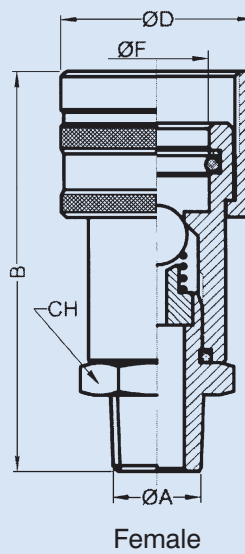
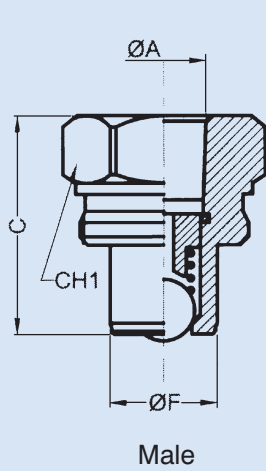
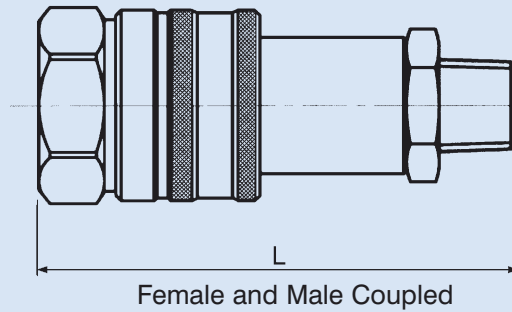
Example: PSB06-F-04NM
PSB Series, ball seal, size 06 female coupling, 1/4" NPT F, male thread, nitrile seals, no special requirements.



PRESSURE DROP CHARACTERISTICS



PSB & PSP SERIES, HIGH PRESSURE, SCREWED COUPLINGS



Male

Male coupling with ball seal	Male coupling with poppet seal	ØA	C	CH1	L	ØF
PSB06-M-04N	PSP06-M-04N	1/4" NPT	39	27	81	15.8
PSB10-M-06N	PSP10-M-06N	3/8" NPT	39	32	87	18.9

Female

Female coupling with ball seal	Female coupling with poppet seal	ØA	ØD	B	CH	L	ØF
PSB06-F-04NM	PSP06-F-04NM	1/4" NPT	30	60	19	81	16
PSB10-F-06NM	PSP10-F-06NM	3/8" NPT	35	73.5	24	87	19