

IAS SERIES

STAINLESS STEEL ISO.A PULL BREAK COUPLINGS

3/8" - 1" Poppet Valve Types to ISO 7241 Series A

INTRODUCTION

Holmbury IAS Series couplings are made in AISI 316, stainless steel. They are designed to be tough, durable and of superior quality to competing ISO 7241 products.

COMPARISONS

In comparison to ISO.B couplings, ISO.A are:

1. Smaller.
2. Easier to connect and release.

APPLICATIONS

IAS Series couplings are ideally suited for use in corrosive environments and/or operation on corrosive fluids. Typical applications include:

- Offshore
- Marine
- Food processing and manufacture
- Machine tool/automation
- Oil refineries
- Chemicals and pharmaceuticals
- Steel mills

FEATURES

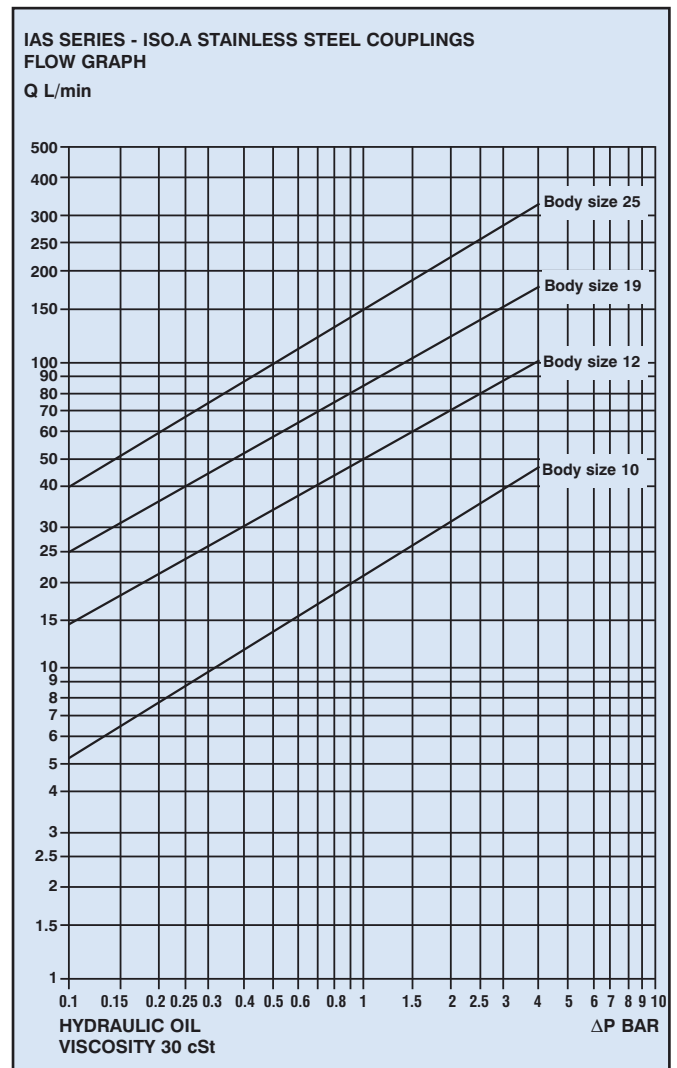
- ★ AISI 316 stainless steel construction, viton seals.
- ★ Positive, quick connection ensured by the snap together locking ball system.
- ★ When connected the male and female halves can rotate, even under pressure, thus avoiding any torsional stress in the flexible hoses.
- ★ Poppet valves have balanced springs and calibrated oil flow passages to minimise the pressure drop.
- ★ Poppet valve seals have shockproof protective edges.

MATERIALS

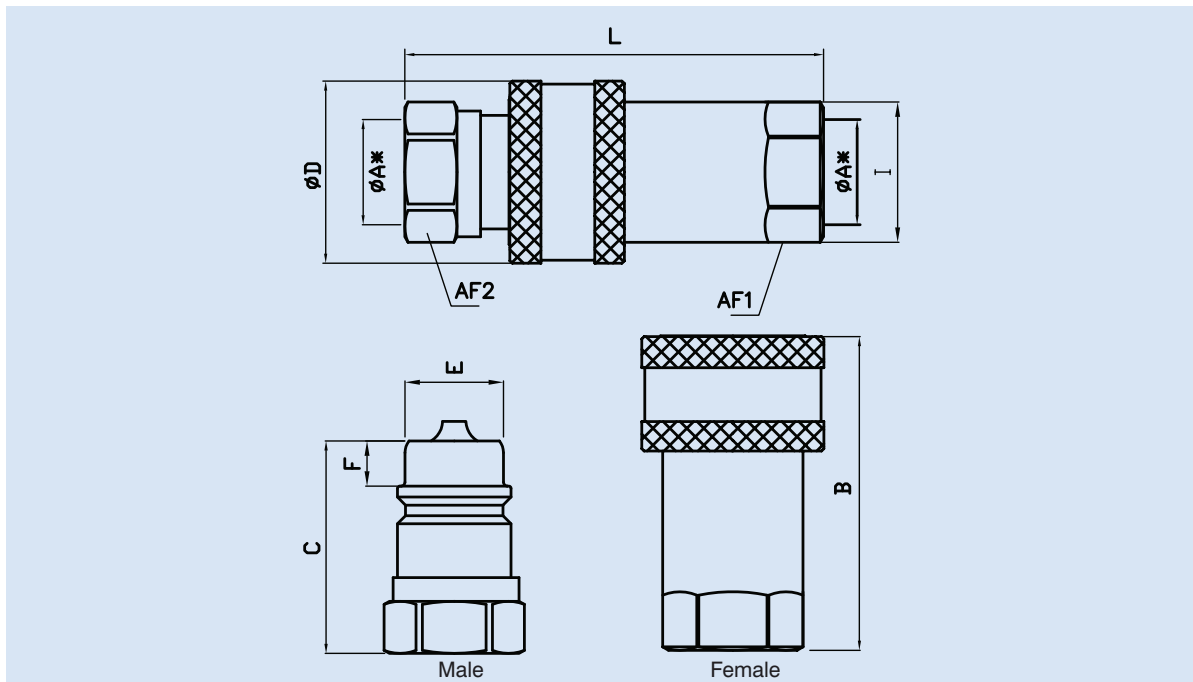
AISI 316 stainless steel, viton seals (for other seal materials please contact the Technical Sales Office)



PRESSURE DROP CHARACTERISTICS



IAS SERIES - ISO.A STAINLESS STEEL COUPLINGS



Body Size	Nominal Diameter	Max Working Pressure (bar)	ØA*	AF1	AF2	B	C	ØD	E	F	L	I	Weight (kg)
IAS10	10	300	3/8"	22	22	56	38	31	17.2	8.9	76.5	24	0.20
IAS12	12.5	250	1/2"	27	27	63	44.5	38	20.5	9.3	86	30	0.34
IAS19	20	250	3/4"	38	36	82	55	48	29	16	111	44	0.71
IAS25	25	230	1"	45	41	97	63	54	34.3	19.8	127	52	1.10

A*=inch size BSP or NPT. Other dimensions in mm.

ORDER CODES

IAS 19 - M - 12 G V	
<p>IAS = IAS Series</p> <p>Body Size 10 = 3/8" 12 = 1/2" 19 = 3/4" 25 = 1"</p> <p>M = Male Coupling F = Female Coupling</p> <p>Thread size based on dash system 06 = 3/8" 08 = 1/2" 12 = 3/4" 16 = 1"</p>	<p>V = Viton seals</p> <p>Blank = Female thread M = Male thread</p> <p>Thread form G = BSP P N = NPT</p>

Example: IAS19-M-12 G V

IAS Series, ISO A stainless steel coupling, 3/4" body size, male coupling, 3/4" thread, BSP P thread form, female thread, viton seals.