

IA FORD SERIES

ISO. A PULL BREAK HYDRAULIC COUPLINGS

1/4" - 2" Poppet Valve Types to ISO 7241 Series A

INTRODUCTION

Holmbury IA Series, ISO.A couplings are the ideal choice where a tough, durable product of superior quality is required. They are perfectly suited to industrial and agricultural applications. A poppet valve is used to minimise the pressure drop characteristics and provide a positive sealing arrangement.

COMPARISONS

In comparison to ISO.B couplings, ISO.A are:

1. Smaller.
2. Easier to connect and release.

FEATURES

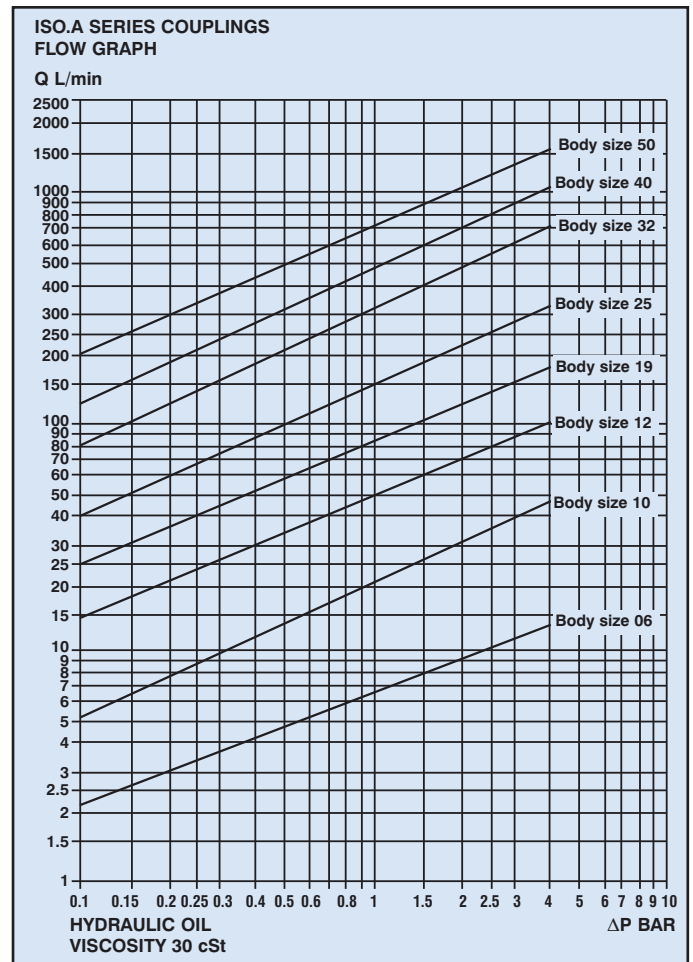
- ★ Positive, quick connection ensured by the snap together locking ball system.
- ★ When connected the male and female halves can rotate, even under pressure, thus avoiding any torsional stress in the flexible hoses.
- ★ Designed to withstand high pressure peaks and pulses.
- ★ Poppet valves have balanced springs and calibrated oil flow passages to minimise the pressure drop.
- ★ Poppet valve seals have shockproof protective edges.

MATERIALS

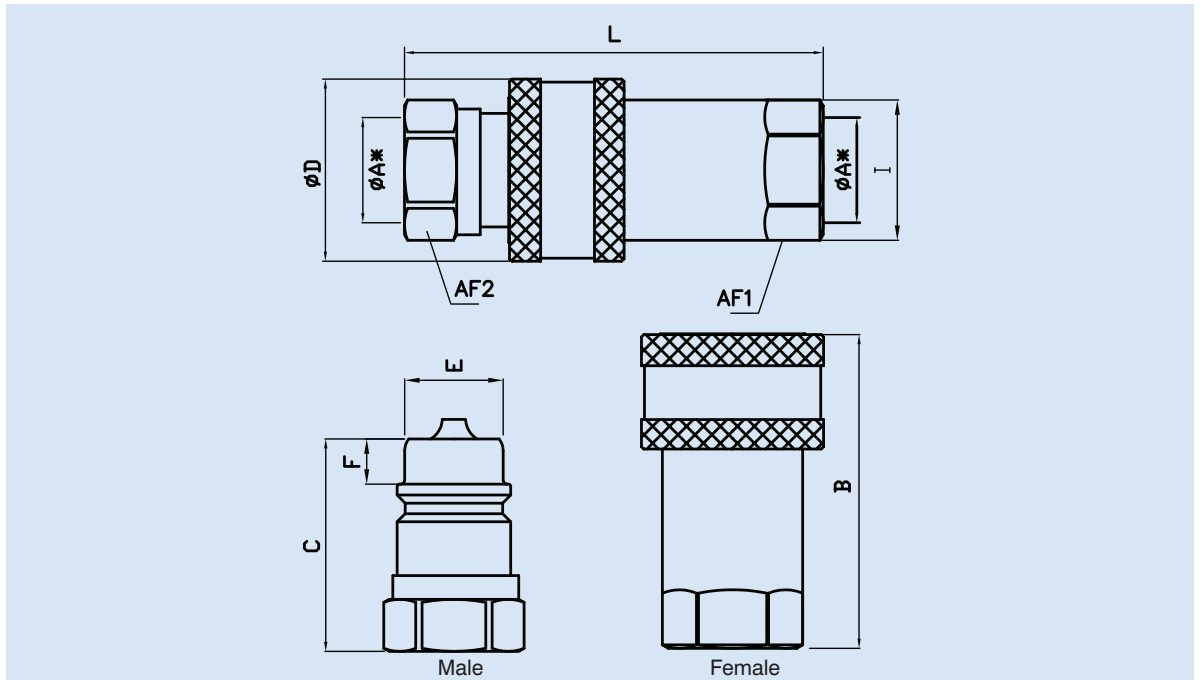
Trivalent plated, heat treated carbon steel. Nitrile 'O' ring seals are fitted as standard. VITON seals are available on request.



PRESSURE DROP CHARACTERISTICS



IA SERIES, ISO.A PULL BREAK HYDRAULIC COUPLINGS



| Body Size | Nominal Diameter | Max Working Pressure (bar) | ØA* | AF1 | AF2 | B | C | ØD | E | F | L | I | Weight (kg) |
|-----------|------------------|----------------------------|--------|-----|-----|-----|------|-----|------|------|------|------|-------------|
| IA06 | 6.3 | 350 | 1/4" | 19 | 19 | 47 | 32 | 26 | 11.7 | 5.6 | 64.5 | 22 | 0.13 |
| IA10 | 10 | 300 | 3/8" | 22 | 22 | 56 | 38 | 31 | 17.2 | 8.9 | 76.5 | 24 | 0.20 |
| IA12 | 12.5 | 250 | 1/2" | 27 | 27 | 63 | 44.5 | 38 | 20.5 | 9.3 | 86 | 30 | 0.34 |
| IA19 | 20 | 250 | 3/4" | 38 | 36 | 82 | 55 | 48 | 29 | 16 | 111 | 44 | 0.71 |
| IA25 | 25 | 230 | 1" | 45 | 41 | 97 | 63 | 54 | 34.3 | 19.8 | 127 | 52 | 1.10 |
| IA32 | 31.5 | 230 | 1 1/4" | 55 | 50 | 117 | 75 | 65 | 45 | 25 | 151 | 56 | 1.90 |
| IA40 | 40 | 190 | 1 1/2" | 60 | 60 | 135 | 85 | 80 | 55 | 30.7 | 171 | 65.5 | 3.10 |
| IA50 | 50 | 130 | 2" | 75 | 75 | 160 | 100 | 100 | 65 | 35.1 | 201 | 83.5 | 5.50 |

A*=inch size BSP or NPT. Other dimensions in mm.

ORDER CODES

| | |
|--|---|
| IA 19 - M - 12 G | |
| IA = ISO A Series | Blank = Nitrile seals |
| Body Size 06 = 1/4" 10 = 3/8" 12 = 1/2" 19 = 3/4" 25 = 1" 32 = 1 1/4" 40 = 1 1/2" 50 = 2" | Blank = Female thread M = Male thread |
| M = Male Coupling F = Female Coupling | Thread form G = BSP P (standard) N = NPT (available on request) S = SAE (available on request) |
| | Thread size based on dash system 04 = 1/4" 16 = 1" 06 = 3/8" 20 = 1 1/4" 08 = 1/2" 24 = 1 1/2" 12 = 3/4" 32 = 2" |

Example: IA19-M-12 G

ISO A, 3/4" body size, male coupling, 3/4" thread, BSP P thread form, female thread, nitrile seals.