

HS SERIES

SCREW TO CONNECT POPPET COUPLINGS

INTRODUCTION

Voswinkel HS Series couplings are designed for use in high pressure pulse applications. This typically includes construction plant, demolition equipment and agricultural machinery.

ADVANTAGES

- ★ Screw connection mechanism avoids use of locking balls and so eliminates the risk of Brinelling (the problem of locking ball indentation in the nose of the probe).
- ★ Can be connected with up to 50 bar pressure in each hydraulic hose line.
- ★ Self locking connection mechanism prevents accidental disconnection caused by vibration.
- ★ Modular construction allows numerous thread / connection options as standard.

MATERIALS

Hardened carbon steel body, Trivalent plated, nitrile seals.

CONNECTION / DISCONNECTION UNDER PRESSURE

Connection with up to 50 bar residual pressure in the line is possible. Disconnection of any hydraulic coupling whilst under full system pressure can be very dangerous and should not be attempted.

PRESSURE RATINGS (bar)

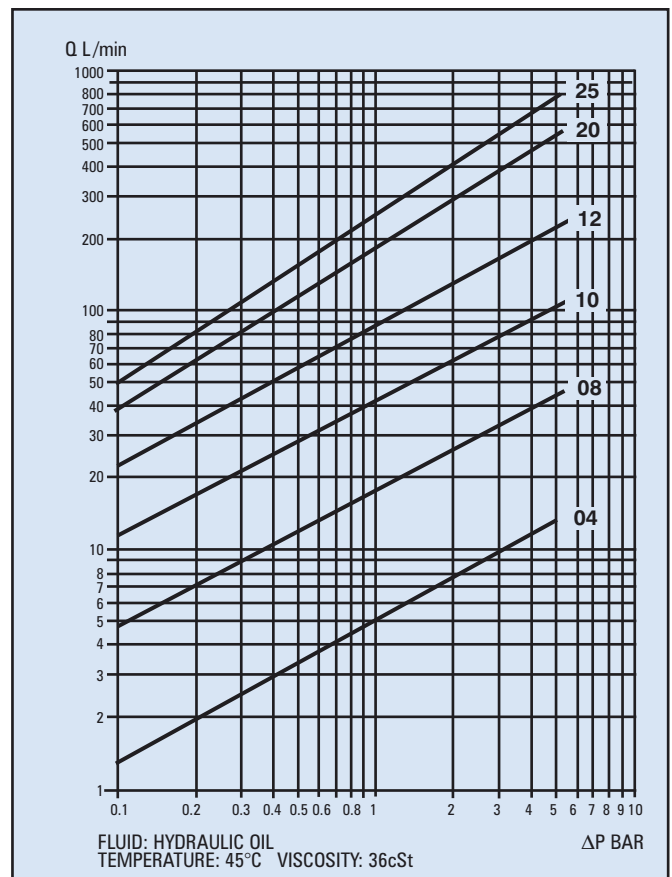
	HS 04	HS 08	HS10	HS12	HS 20	HS25
Max working pressure	450	450	450	400	300	300
Burst pressure coupled	1800	1600	1600	1500	1180	1800
Burst pressure female	1400	1750	1750	1600	1500	1600
Burst pressure male	1400	1550	1550	1200	1100	1200

ORDER CODES*

		HS 08 - 1 - IG F 06			
HS = Series type				Thread Size	
Body Size				04 = 1/4" 16 = 1"	
04 = 1/4" 12 = 3/4"				06 = 3/8" 20 = 1/4"	
08 = 3/8" 20 = 1"				08 = 1/2" 24 = 1/2"	
10 = 1/2" 25 = 1/4"				12 = 3/4"	
Gender				Thread Gender	
1 = Female coupling				F = Female Blank = Male	
2 = Male coupling				Thread form	
				IG = BSP P IN = NPT F M = Metric	



PRESSURE DROP CHARACTERISTICS

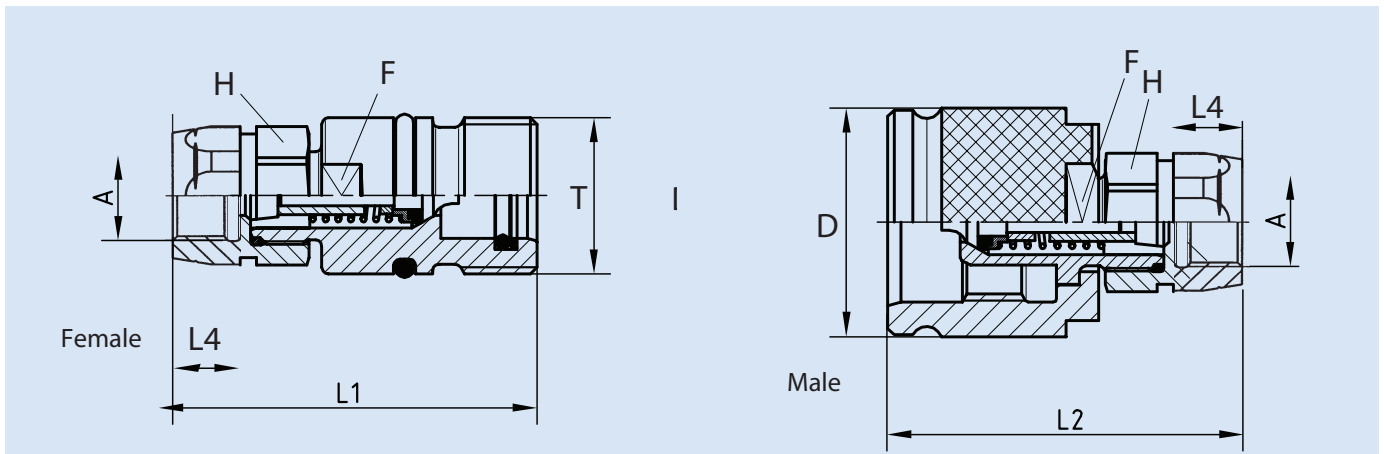


* Similar but not identical to the Holmbury order code system

Example: HS 08-1- IN F 06

HS Series, 3/8" body, female coupling with BSP P female thread size 3/8" with nitrile seals, carbon steel body.

HS SERIES SCREW TO CONNECT POPPET COUPLINGS



FEMALE DIMENSIONS

Type & Size	A - port size NPT F thread	T	F Flat	H Hex	L4 Thread Length	L1	Weight kg
HSO4	1/4"	M24X2	22	19	13	59	0.12
HS08	3/8"	M28X2	24	22	13	64	0.16
HS10	1/2"	M36X2	30	30	15	68	0.285
HS12	3/4"	M42X2	36	36	19	85	0.526
HS20	1"	M48X2	41	41	19	99	0.706
HS25	1 1/4"	M70X3	85	80	55	29	1.63
HS25	1 1/2"	M70X3	85	80	55	31	1.715

MALE DIMENSIONS

Type & Size	A port size NPT F thread	D	F Flat	H Hex	L4 Thread Length	L2	Weight kg
HSO4	1/4"	35	30	19	13	58	0.182
HS08	3/8"	34	30	22	13	61	0.17
HS10	1/2"	42	36	30	15	66	0.27
HS12	3/4"	48	41	36	19	76	0.49
HS20	1"	55	50	41	19	82	0.58
HS25	1 1/4"	85	80	55	29	131	2.329
HS25	1 1/2"	85	80	55	31	133	2.26

Also available in Metric Male Tube (DIN 3861) and Code 62 Flange Connections.