

F SERIES

HIGH FLOW

CONNECT-UNDER-PRESSURE

SAFETY COUPLINGS

INTRODUCTION

Holmbury High Flow Safety Couplings offer three important benefits, high flow with low pressure drop characteristics, connection under pressure and a safety locking mechanism to prevent accidental disconnection. Four sizes are offered, 3/8", 1/2", 3/4" and 1", all with BSP thread.

FEATURES

- ★ Pressure eliminator to allow connection even when there is residual pressure in the hose lines
- ★ Low pressure drop characteristics
- ★ Safety locking ring to avoid accidental disconnection
- ★ Female coupling has double 'O' ring seals

APPLICATIONS

Mobile plant and general industrial equipment

MATERIALS

Trivalent plated carbon steel body material with nitrile seals

TECHNICAL DETAILS

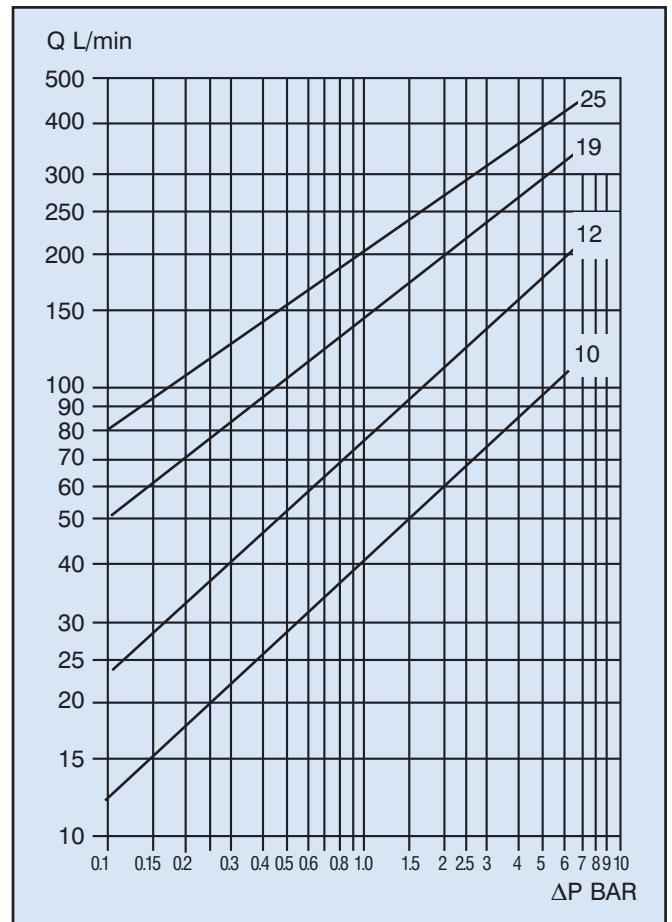
Maximum working pressure for all sizes is 280 bar.
Working temperature range with nitrile seals is -20°C to +100°C

ORDER CODES

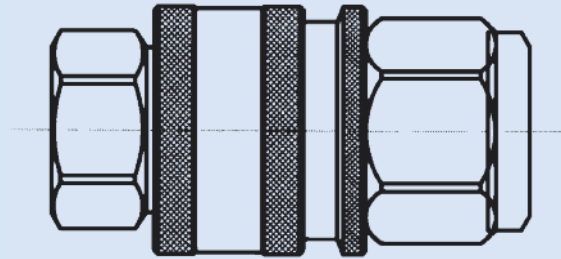
F	19	M	12	G
F = F Series				
Coupling Size				
M = Male coupling				
F = Female coupling				
Thread size (dash system)				
06 = 3/8"	12 = 3/4"			
08 = 1/2"	16 = 1"			
Thread form				
G = BSP P				
M = Male thread				
Blank = Female thread (no code required)				
Blank = Nitrile Seals (no code required)				
Any other necessary information				



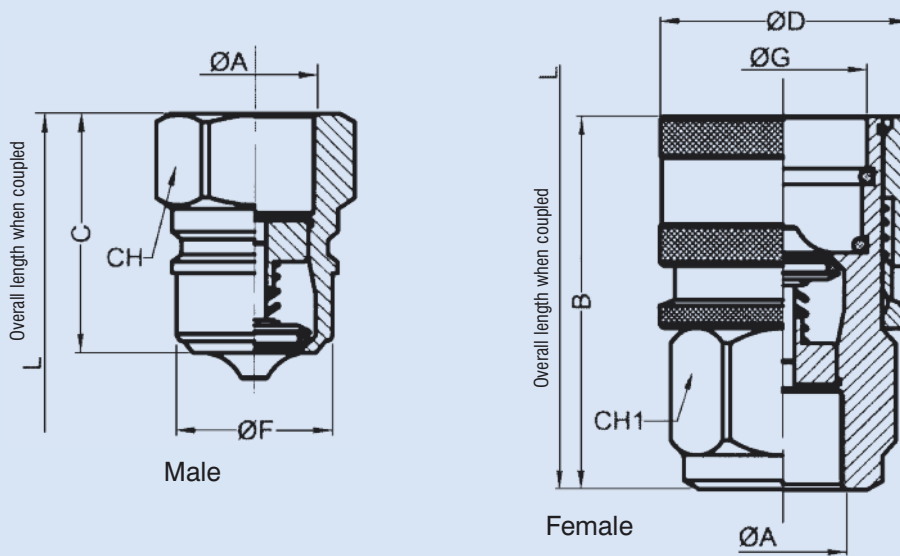
PRESSURE DROP CHARACTERISTICS



F SERIES, HIGH FLOW, CONNECT-UNDER-PRESSURE, SAFETY COUPLINGS



Female and Male Coupled



Male coupling

Size	ØA	C	CH	L	ØF
F 10 M 06 G	3/8" BSP	40.5	22	81	19.9
F 12 M 08 G	1/2" BSP	41.5	27	83	24.7
F 19 M 12 G	3/4" BSP	56	36	112	32.65
F 25 M 16 G	1" BSP	63	46	126	40.8

Female coupling

Size	ØA	ØD	B	CH1	L	ØG
F 10 F 06 G	3/8" BSP	35	64	30	81	21.6
F 12 F 08 G	1/2" BSP	40	66.5	36	83	26.8
F 19 F 12 G	3/4" BSP	52	85	42	112	34.75
F 25 F 16 G	1" BSP	65	99	55	126	43.5