

DIN COUPLINGS

to ISO 5675

DINB – Ball valve couplings

DINV – Poppet valve couplings

INTRODUCTION

Holmbury DIN couplings are manufactured according to ISO 5675. Size DIN12 also meets the ISO 7241-A requirements. They are offered with a choice of either ball or poppet valve mechanisms for automatic flow shut-off when disconnected.

The ball valve option is primarily intended for applications where compatibility with existing equipment is essential. For new applications we recommend poppet valve couplings as the more durable option.

CONSTRUCTION

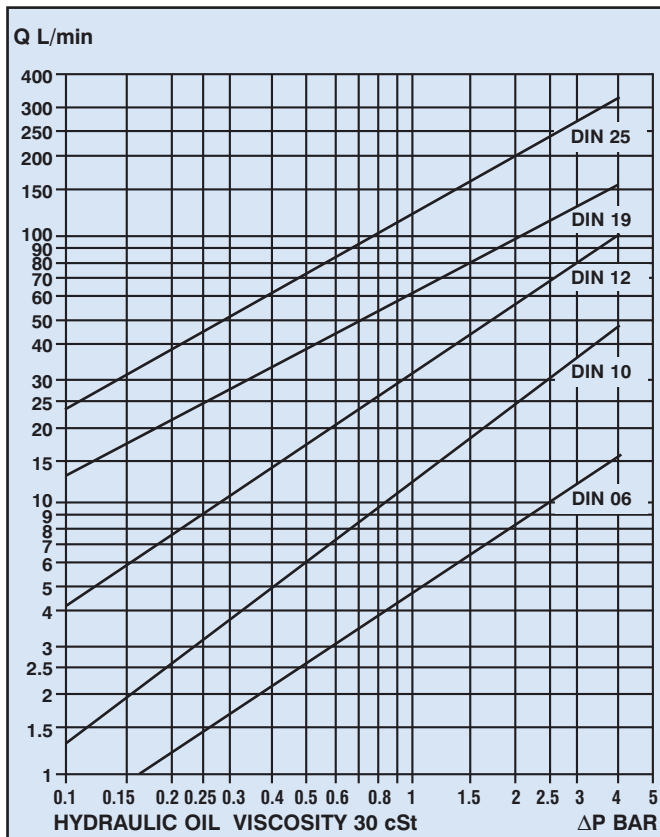
Trivalent plated carbon steel with highly stressed components carbonitrided.

Nitrile seals with Teflon PTFE backing ring.

TECHNICAL DATA

BSP thread is standard, other threads available on request. Working temperature range, nitrile seals: -20°C to +100°C.

PRESSURE DROP CHARACTERISTICS



DINB ball valve couplings

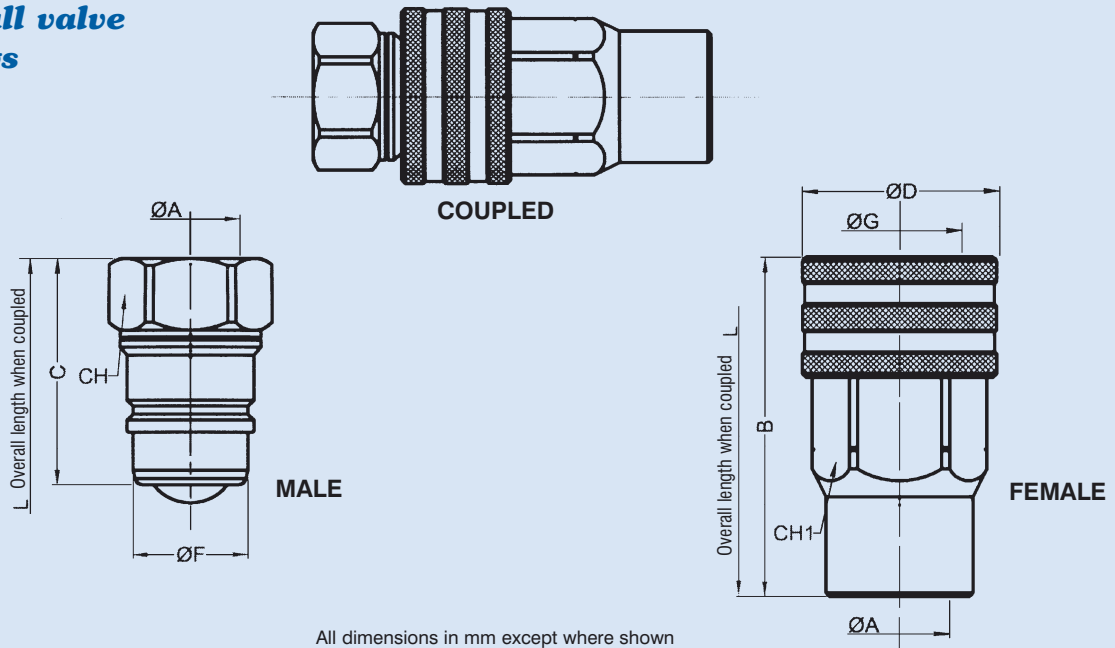


DINV poppet valve couplings

ORDER CODES

DINV 25 – F – 16 G		Any other information
DIN Coupling Type		Blank = Nitrile seal
DINB = ball valve		Blank = Female thread
DINV = poppet valve		
Body size:		Thread form
04 = 1/8" 12 = 1/2"		G = BSP P
06 = 1/4" 19 = 3/4"		Thread size based on dash system
10 = 3/8" 25 = 1"		02 = 1/8" 08 = 1/2"
M = Male coupling		04 = 1/4" 12 = 3/4"
F = Female coupling		06 = 3/8" 16 = 1"

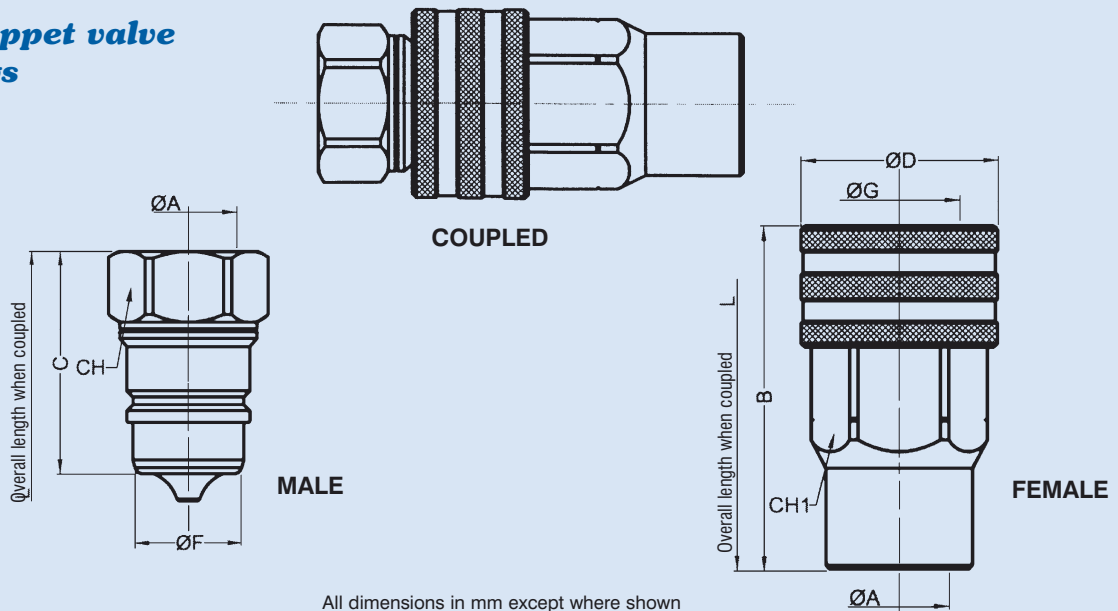
DINB ball valve couplings



All dimensions in mm except where shown

Size	Max Working pressure (bar)	$\varnothing A$	B	C	CH	CH1	$\varnothing D$	$\varnothing F$	$\varnothing G$	L
06	350	1/4"	53.5	36	19	22	27	14.15	16.9	73
10	300	3/8"	61	40.5	24	27	34	18.95	21.6	82
12	280	1/2"	63.5	46	27	30	38	20.5	23.8	88
19	250	3/4"	85	56	36	38	48	27.95	31.1	113
25	230	1"	96.5	63	41	45	55	31.3	34.6	127

DINV poppet valve couplings



All dimensions in mm except where shown

Size	Max Working pressure (bar)	$\varnothing A$	B	C	CH	CH1	$\varnothing D$	$\varnothing F$	$\varnothing G$	L
06	350	1/4"	53.5	36	19	22	27	14.15	16.9	73
10	300	3/8"	61	40.5	24	27	34	18.95	21.6	82
12	280	1/2"	63.5	46	27	30	38	20.5	23.8	88
19	250	3/4"	85	56	36	38	48	27.95	31.1	113
25	230	1"	96.5	63	41	45	55	31.3	34.6	127