

# CV SERIES

## CHECK VALVES

### INTRODUCTION

One-way valve for in-line use.  
Suitable for any type of hydraulic system using liquids that are not highly viscous. The standard types are in Trivalent plated carbon steel and are therefore especially suitable for non-corrosive mineral based oils and liquids.

### FEATURES

Standard types:

- ★ Good pressure / flow characteristics, see graphs.
- ★ Valve body in Trivalent plated carbon steel.
- ★ Piston in carbon steel.
- ★ Internal spring in silicon steel - stabilized.
- ★ Cracking points 0.35 bar and 4.5 bar are standard, other values on request.

### ALTERNATIVE USES

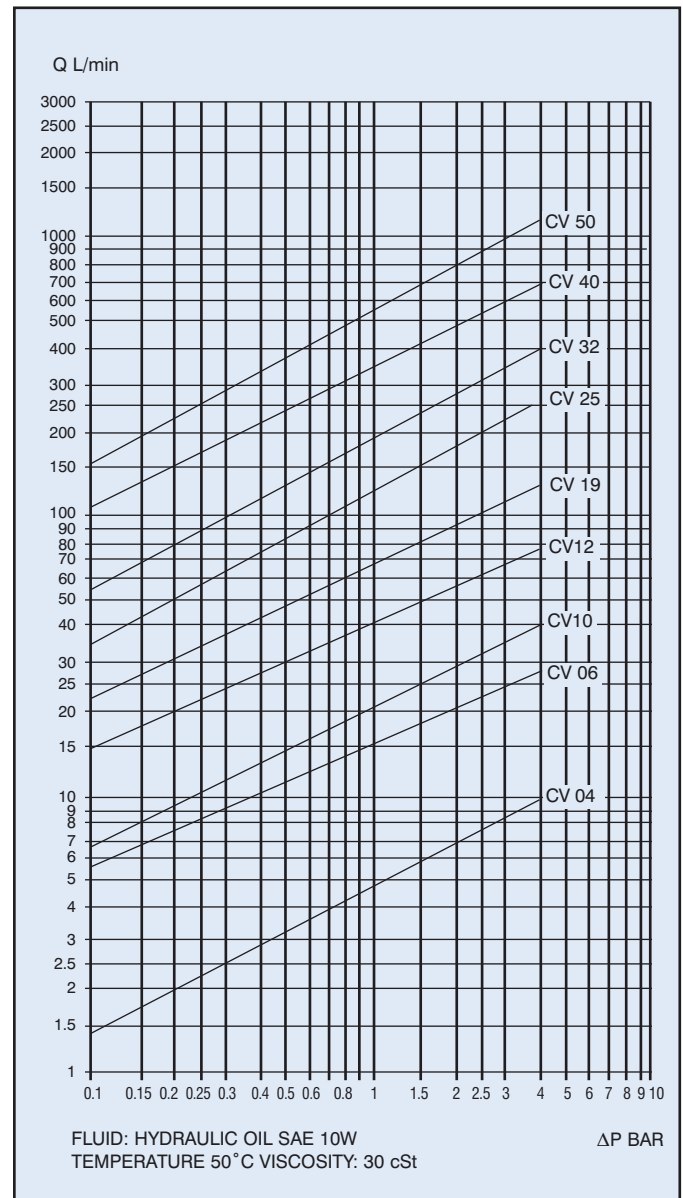
As a pressure sequence valve by changing the internal spring to an appropriate 'cracking point' value.  
For flow restrictor check valves a central bleed hole can be provided, sized to customer requirements.

### ORDER CODES

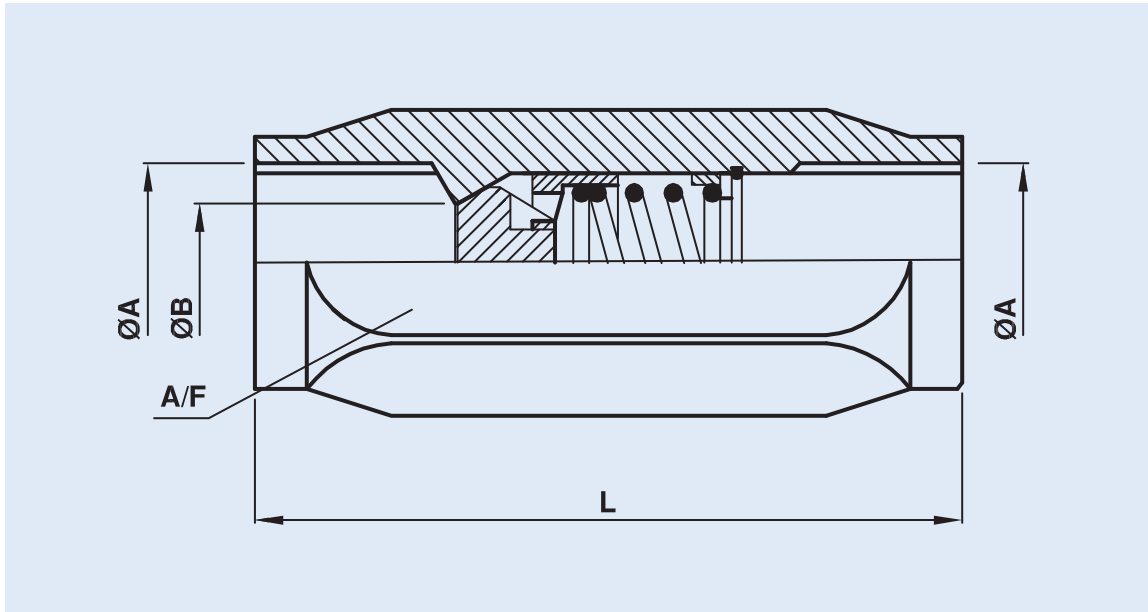
<b>CV</b>		<b>06 - 04</b>		<b>G - 04</b>		<b>G</b>		<b>0.35</b>	
<b>CV</b> Check Valve								<b>Cracking pressure</b> 0.35 bar 4.5 bar	
<b>Body Size</b>								<b>Outlet thread form</b> G = BSP P N = NPT S = SAE	
04 = 1/8"    25 = 1"								<b>Outlet thread size</b> (dash system)	
06 = 1/4"    32 = 1 1/4"								02 = 1/8"	
10 = 3/8"    40 = 1 1/2"								04 = 1/4"	
12 = 1/2"    50 = 2"								06 = 3/8"	
19 = 3/4"								08 = 1/2"	
<b>Inlet thread size</b> (dash system)								12 = 3/4"	
02 = 1/8"    16 = 1"								16 = 1"	
04 = 1/4"    20 = 1 1/4"								20 = 1 1/4"	
06 = 3/8"    24 = 1 1/2"								24 = 1 1/2"	
08 = 1/2"    32 = 2"								32 = 2"	
12 = 3/4"									
<b>Inlet thread form</b>									
G = BSP P									
N = NPT									
S = SAE									



### PRESSURE DROP CHARACTERISTICS



## CV SERIES, CHECK VALVES



### DIMENSIONS AND PRESSURE RATINGS

Body Size	Code	Maximum working pressure (bar)	ØA*	ØB	AF	L	Weight kg
04	CV04	400	1/4"	7	19	50	0.09
06	CV06	400	3/8"	10	24	60	0.16
12	CV12	350	1/2"	11	27	65	0.28
19	CV19	350	3/4"	17	34	75	0.35
25	CV25	350	1"	21	41	93	0.58
32	CV32	250	1¼"	29	50	110	0.96
40	CV40	250	1½"	34	55	112	1.02
50	CV50	250	2"				

\* BSP, NPT and SAE are standard. Other thread forms available on request.  
Dimensions in mm (except A).

**All dimensions shown are for guidance only, if critical contact Bosch Hydraulic Connections Ltd.**