

BVC-2 SERIES

2 WAY HIGH PRESSURE BALL VALVES

INTRODUCTION

Holmbury BVC2 ball valves are designed to suit a wide range of applications including mobile plant and industrial equipment. These valves should not be used as flow control valves and should therefore always be fully open or fully closed.

FEATURES

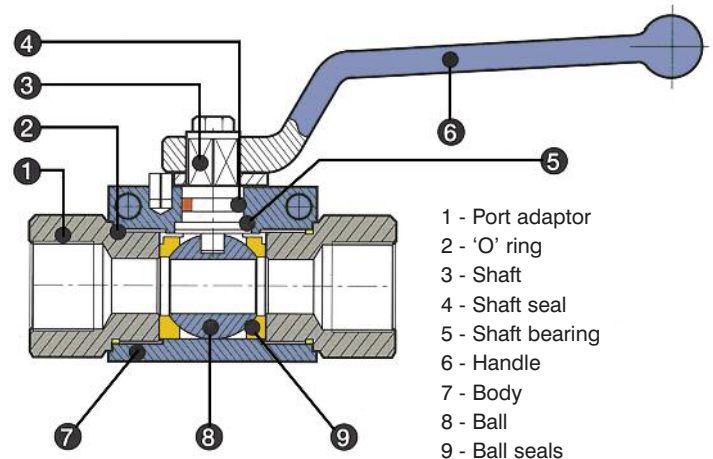
- ★ Full bore valves provide an unrestricted flow path for negligible pressure drop.
- ★ Floating ball on pre-compressed seals minimises wear and provides an excellent seal at positive and negative pressures.
- ★ Operating temperatures from -20°C to +100°C.
- ★ Open to close in 1/4 turn (90°).
- ★ Cranked handles are incorporated to provide good clearance for the operators hands.

MATERIALS

- Body and port adaptors are Trivalent plated steel (38SMn PB 10).
- Handle - steel forging, Trivalent plated.
- Ball - carbon steel.
- Ball seals - DELRIN (polyacetalic resin)
- Shaft seal - nitrile

ORDER CODES

BVC-2 - 06 - 04 G -1 -1	
Ball valve 2 way	
Body Size:	
06	25
10	32
12	40
19	50
Thread Size (dash system)	
04 = 1/4"	16 = 1"
06 = 3/8"	20 = 1 1/4"
08 = 1/2"	24 = 1 1/2"
12 = 3/4"	32 = 2"
Thread Form:	
G = BSP P, N = NPT, S = SAE	
Ball Seals	
1 = DELRIN, 2 = PTFE	
Shaft seals	
1 = Nitrile, 2 = Viton	
Any other necessary information	

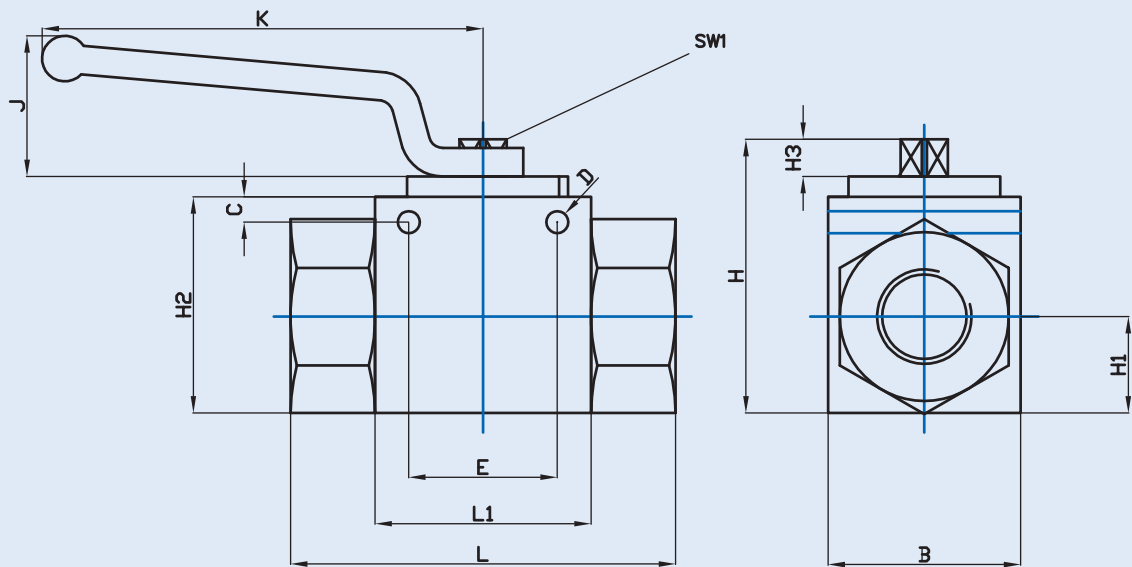


- 1 - Port adaptor
- 2 - 'O' ring
- 3 - Shaft
- 4 - Shaft seal
- 5 - Shaft bearing
- 6 - Handle
- 7 - Body
- 8 - Ball
- 9 - Ball seals

Example: BVC-2-06-04G-1-1

Ball valve, 2 way, body size 06, 1/4" BSP port thread, DELRIN ball seals and Nitrile shaft seals.

2 WAY BALL VALVES



Code	ND	Max W.P Bar	L	L1	B	H	H1	H2	H3	E	D	C	SW1	K	J
BVC-2-06-04G-1-1	6	500	69	37	28	44.5	13	32	8	26	5	4.5	9	107	40
BVC-2-10-06G-1-1	10	500	72	42	35	52.5	17	40	8	32	5	4.5	9	107	40
BVC-2-12-08G-1-1	12	500	83	48	35	52.5	17	40	8	37.5	4.8	4.5	9	107	40
BVC-2-19-12G-1-1	20	500	95	60	48	75	24	57	12	45	6.5	4.5	14	168	61
BVC-2-25-16G-1-1	25	500	113	65	57	82	28.5	64	12	55	6	4.5	14	168	61
BVC-2-32-20G-1-1	32	350	110	84	75	104.5	37.5	84	14	55	6	4.5	17	221	75
BVC-2-40-24G-1-1	40	350	130	91	85	115.5	42.5	95	14	Not applicable*			17	221	75
BVC-2-50-32G-1-1	50	350	140	100	105	133	52.5	112.5	14	Not applicable*			17	221	75

Dimensions in mm

*Mounting holes not provided

All dimensions shown are for guidance only, if critical contact Bosch Hydraulic Connections Ltd.